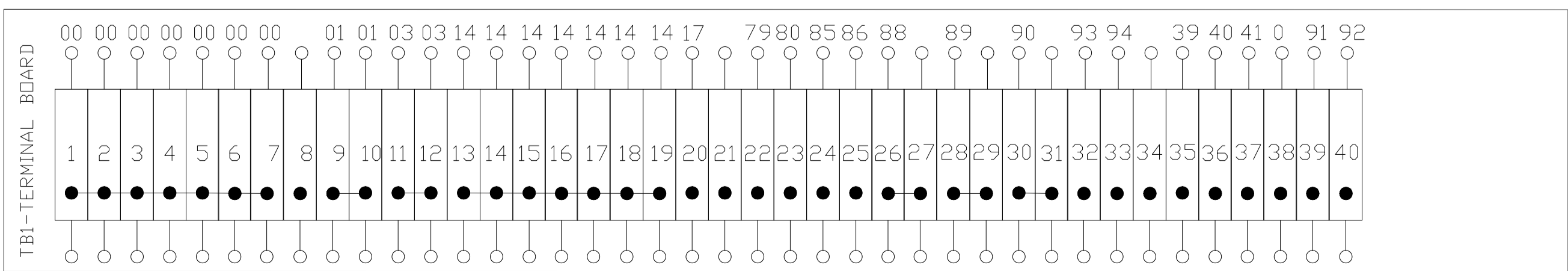


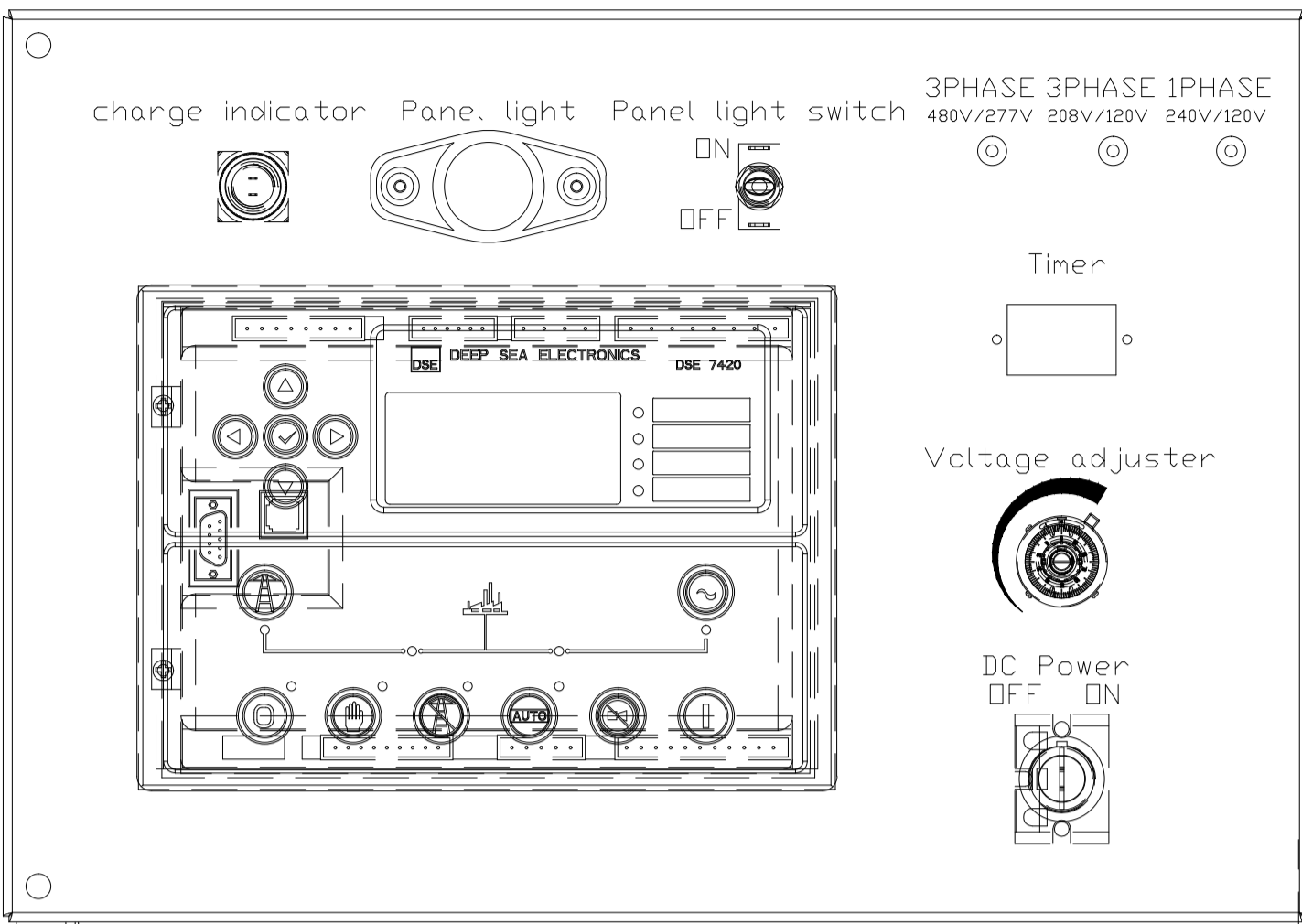
GEN-SET MODEL : A360JS
 ENGINE MODEL : 6090CG550
 CONTROLLER MODEL: DSE-7420MKII
 VOLTAGE: 480, 208V 3P, 240V 1P
 FERQUENCY: 60_Hz
 FULL LOAD CURRENT: 433, 999, 945_A



Item	Name	Date	Item	Name	Date
Designer	3288	29/06/2023	Checked	0757	
Proofread	1278		Approved	0746	
Drg.No	1000035805A360JS		Sheet	1/2	Edition 1.0



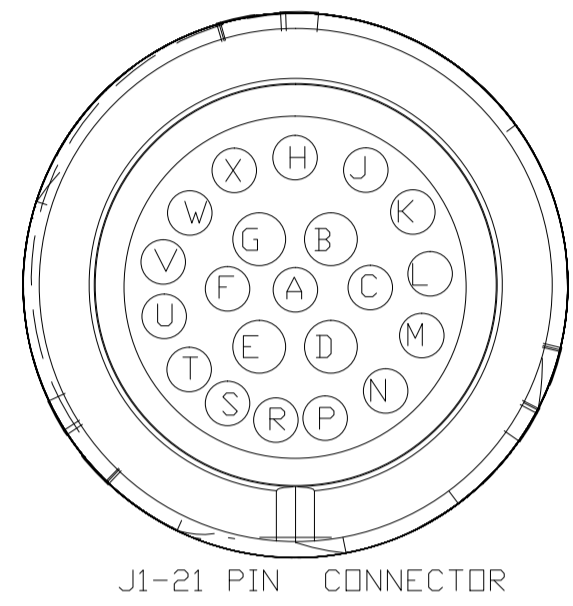
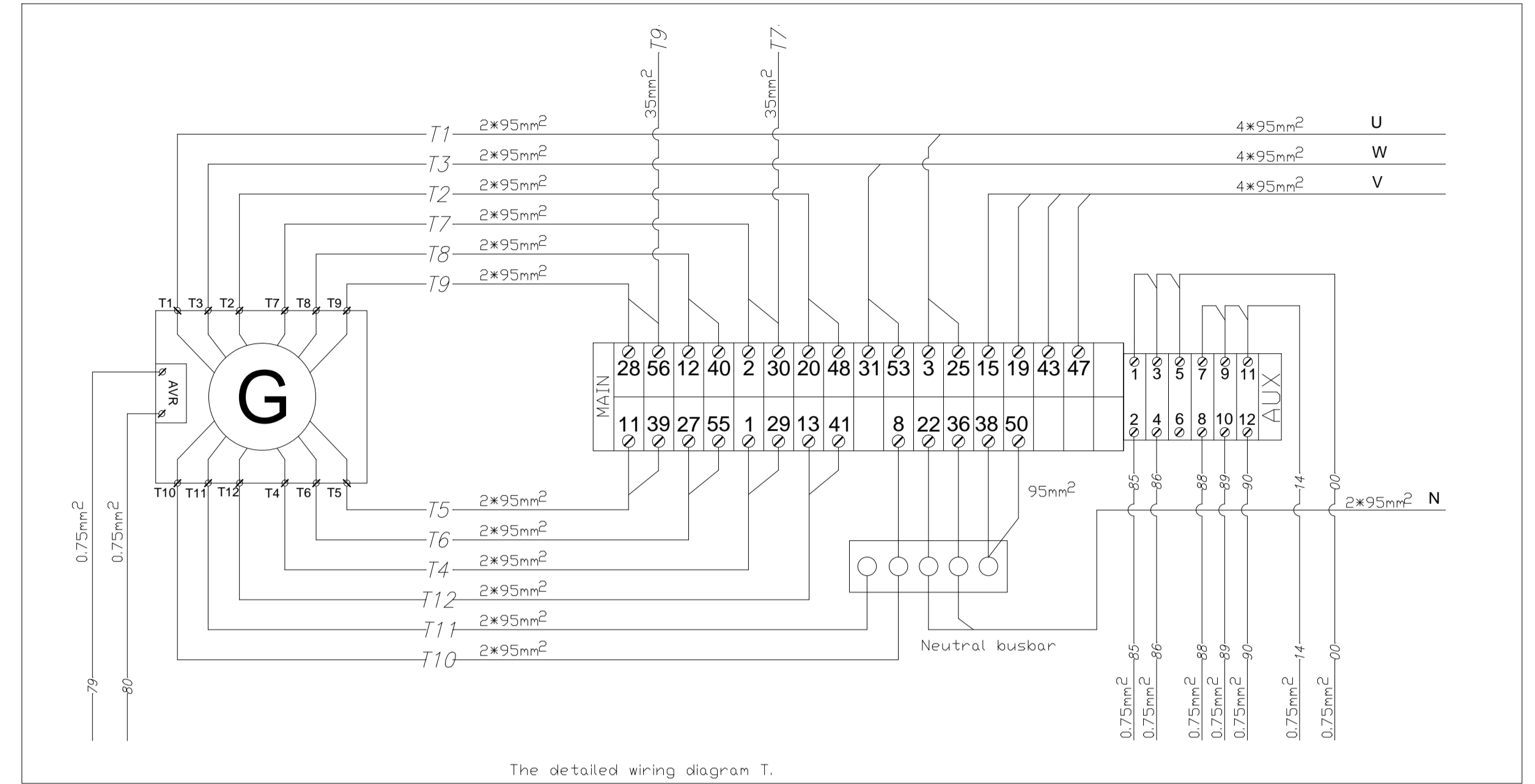
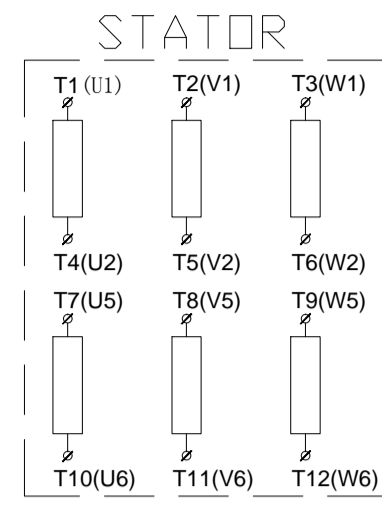
Control panel



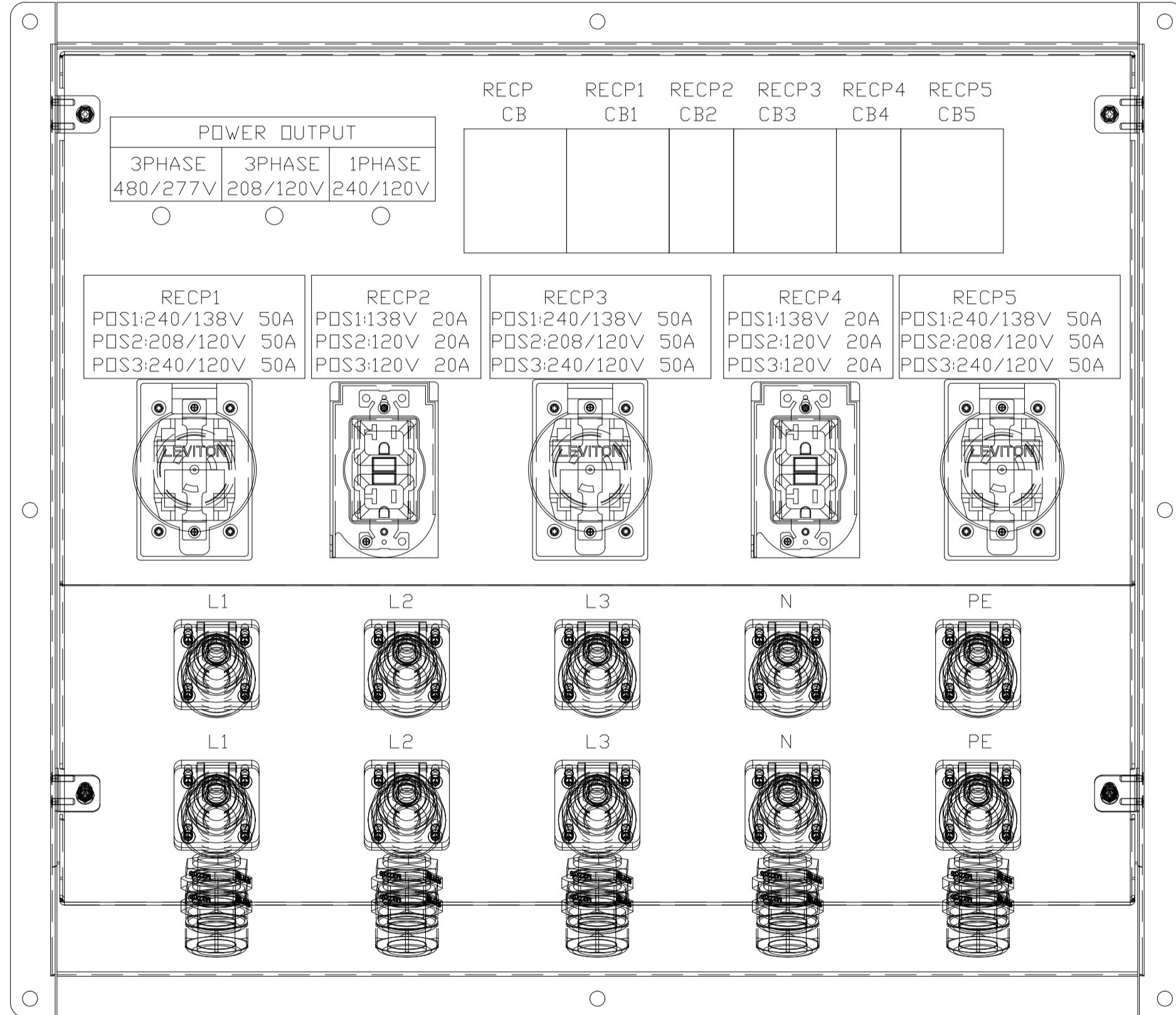
ECU

X5021 CONTROL PANEL CONNECTOR

WIRING NO.	TERMINAL NO.
00	E
04	B
38	D
09	J
37	G
72	V
73	U
SCR	F

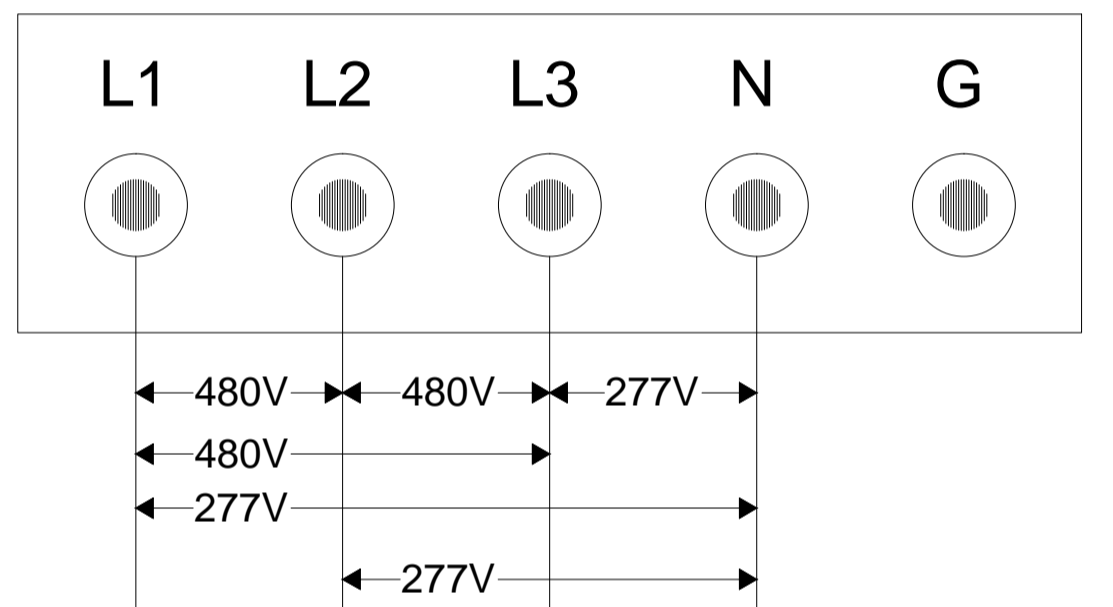


Terminal Box

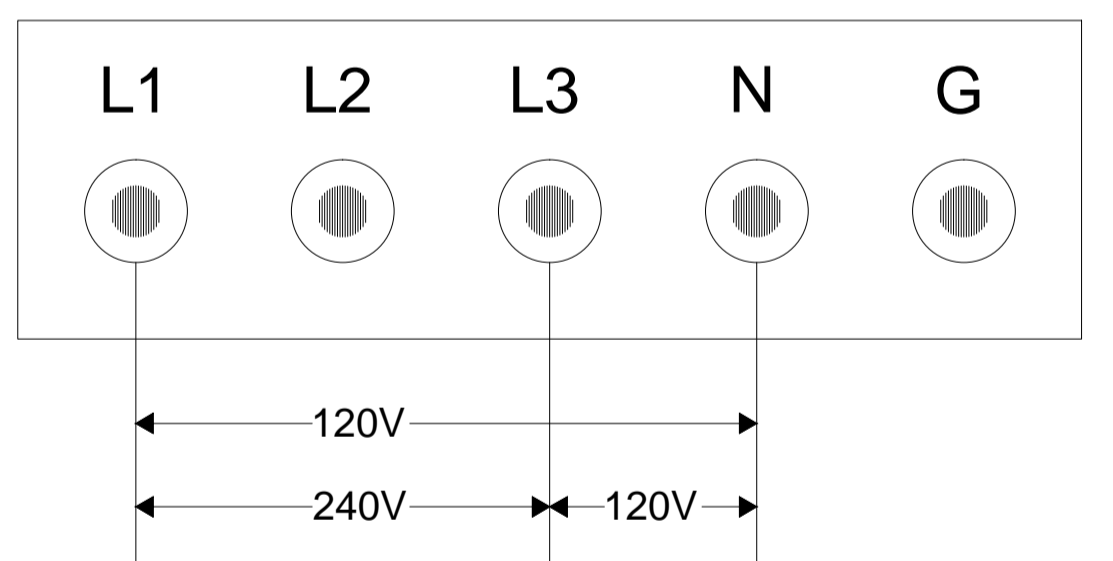


SWITCH POSITIONS

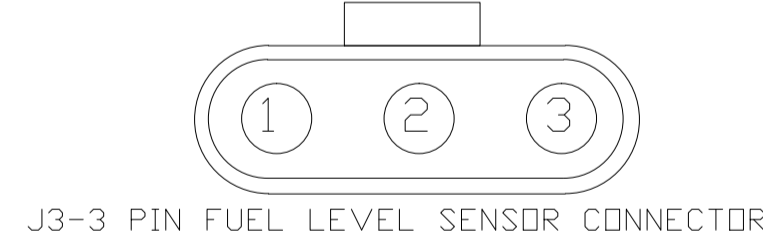
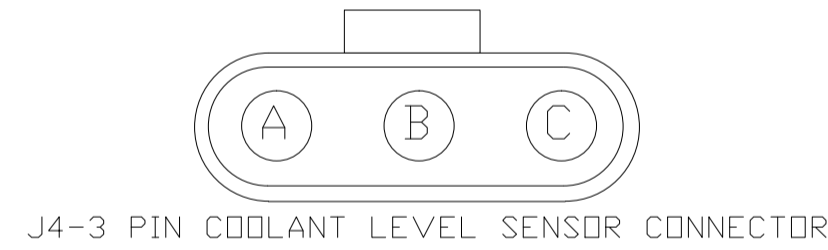
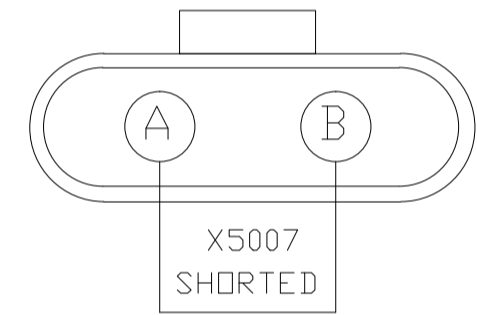
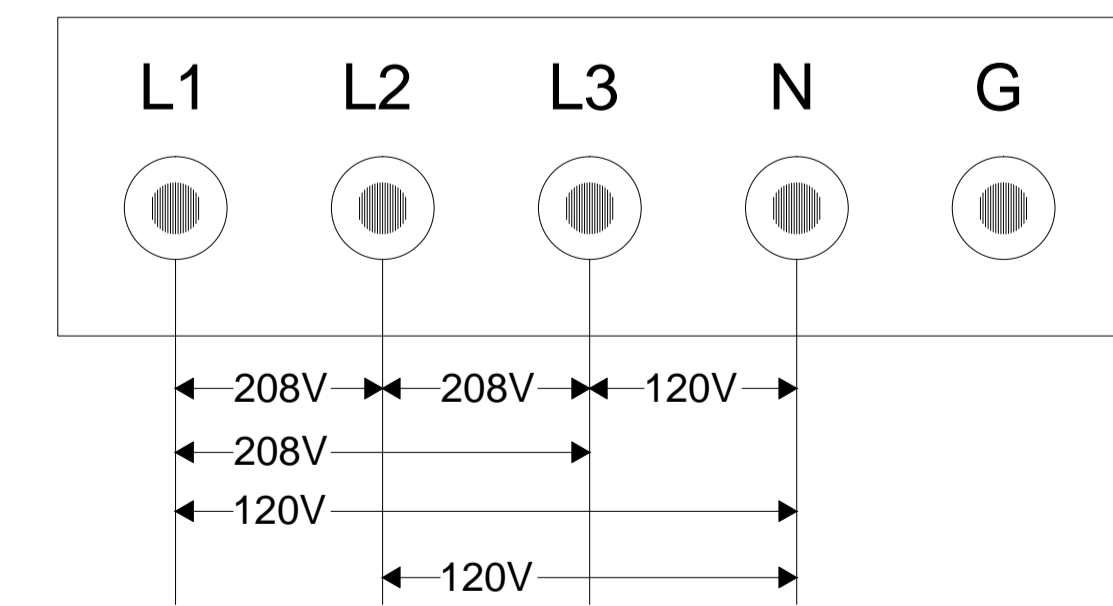
1) PDS 1--480V/277V 3PH SERIES-STAR



3) PDS 3--240V/120V 1PH ZIG-ZAG(L1-N-L3)

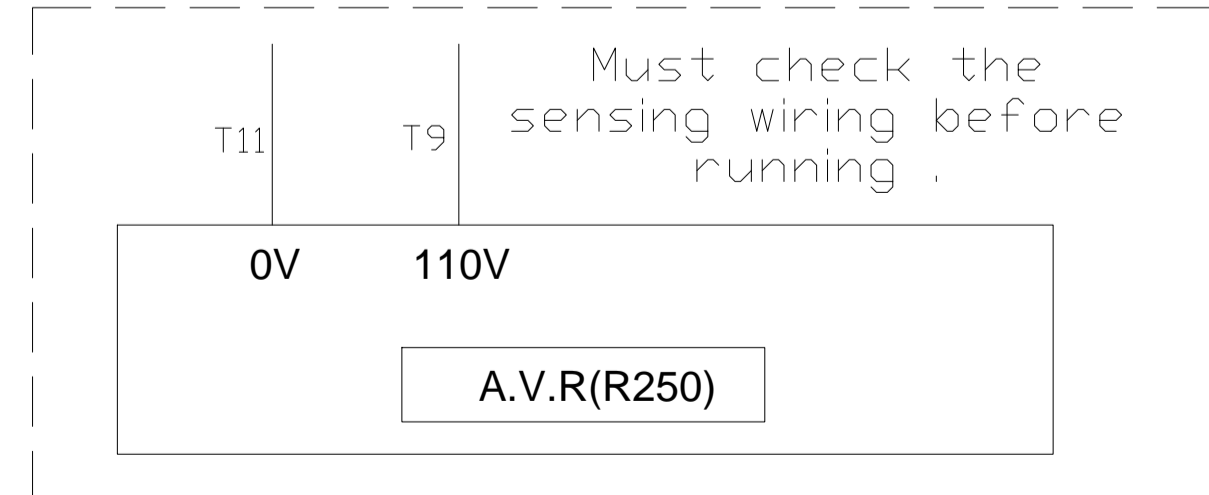
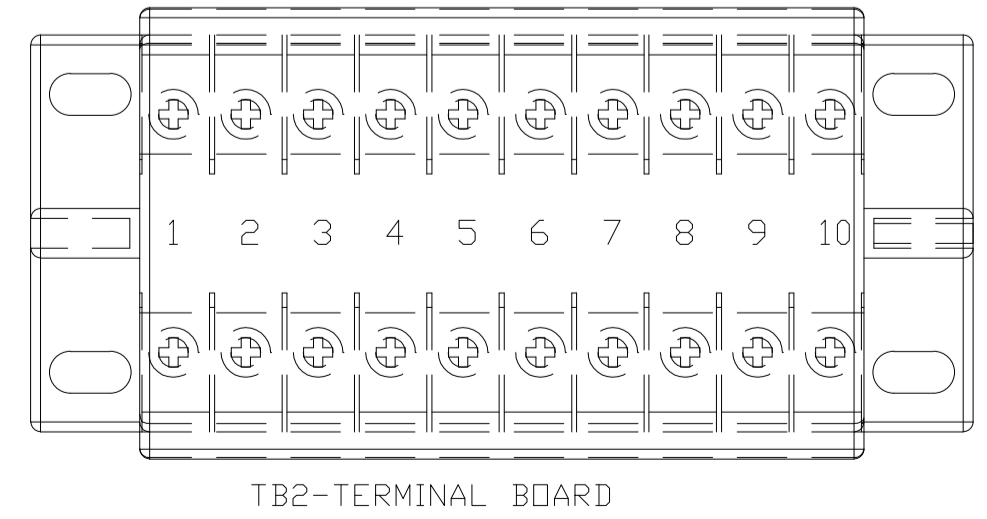


2) PDS 2--208V/120V 3PH PARALLEL-STAR



SW1: DC POWER SWITCH
EMER: EMERGENCY STOP
ALT: ALTERNATOR
SM: START MOTOR
CB: CIRCUIT BREAKER
AVR: AUTOMATIC VOLTAGE REGULATOR
ATS: AUTOMATIC TRANSFER SWITCH
ELR: EARTH LEAKAGE RELAY

NOTICE:
(1) DEFAULT CONFIG.(MAIN CONFIG.):480V/277V 3PH;
(2) ALT. CONFIG1.:208V/120V 3PH;
(3) ALT. CONFIG2.:240V/120V 1PH;
(4) EX-FACTORY STATUS:208V/120V 3PH;



Item	Name	Date	Item	Name	Date
Designer	3288	29/06/2023	Checked	0757	
Proofread	1278		Approved	0746	
Drq.No	1000035805A360JS		Sheet	2/2	Edition 1.0

