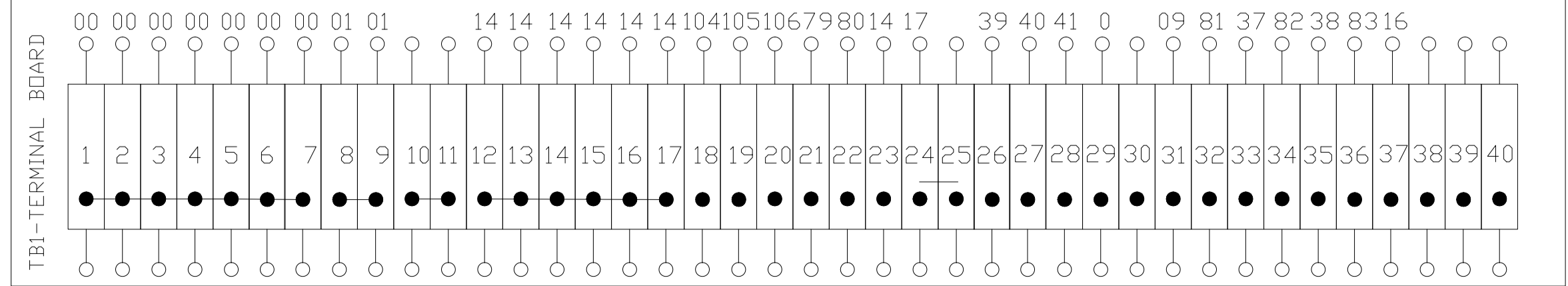
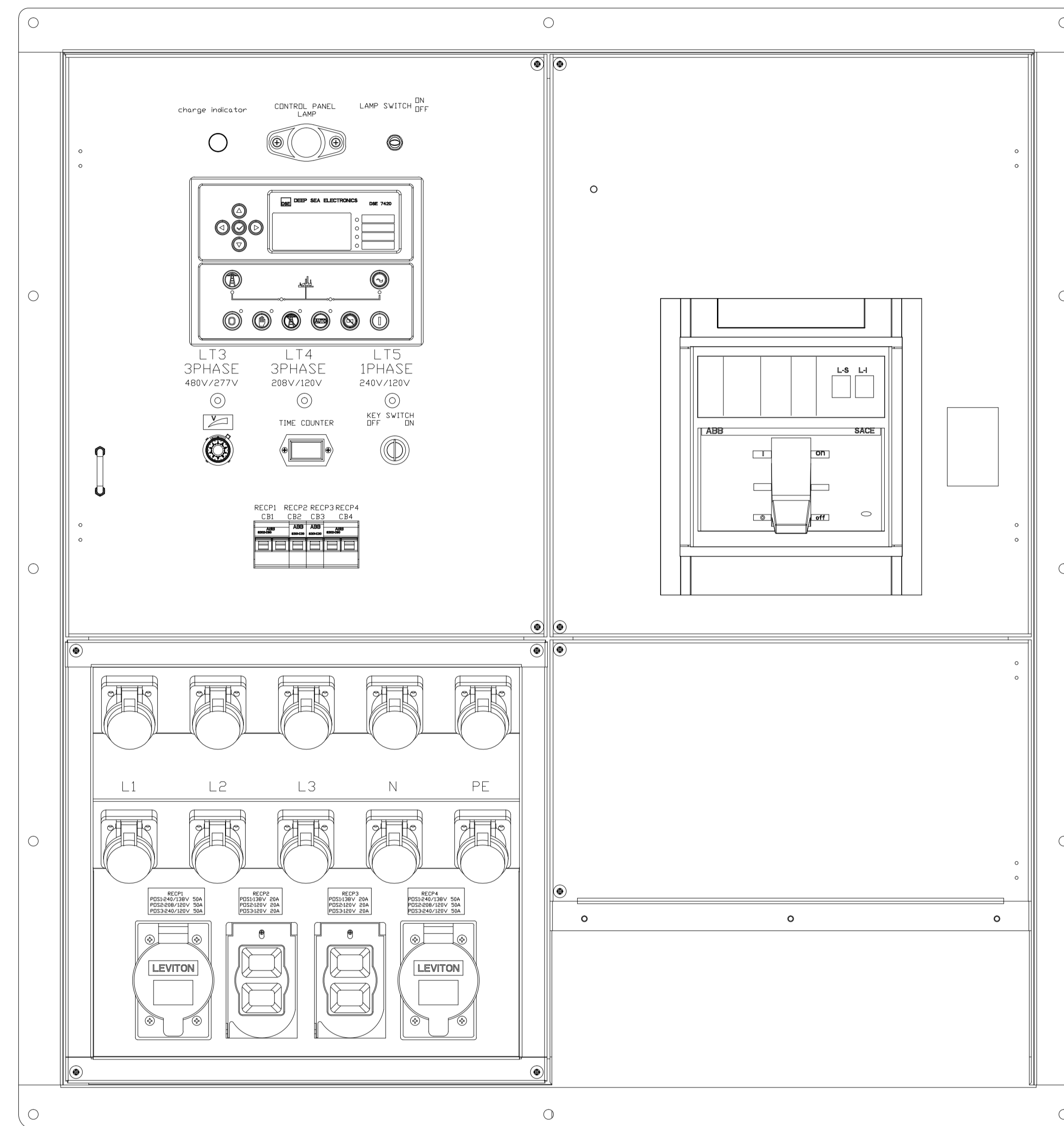
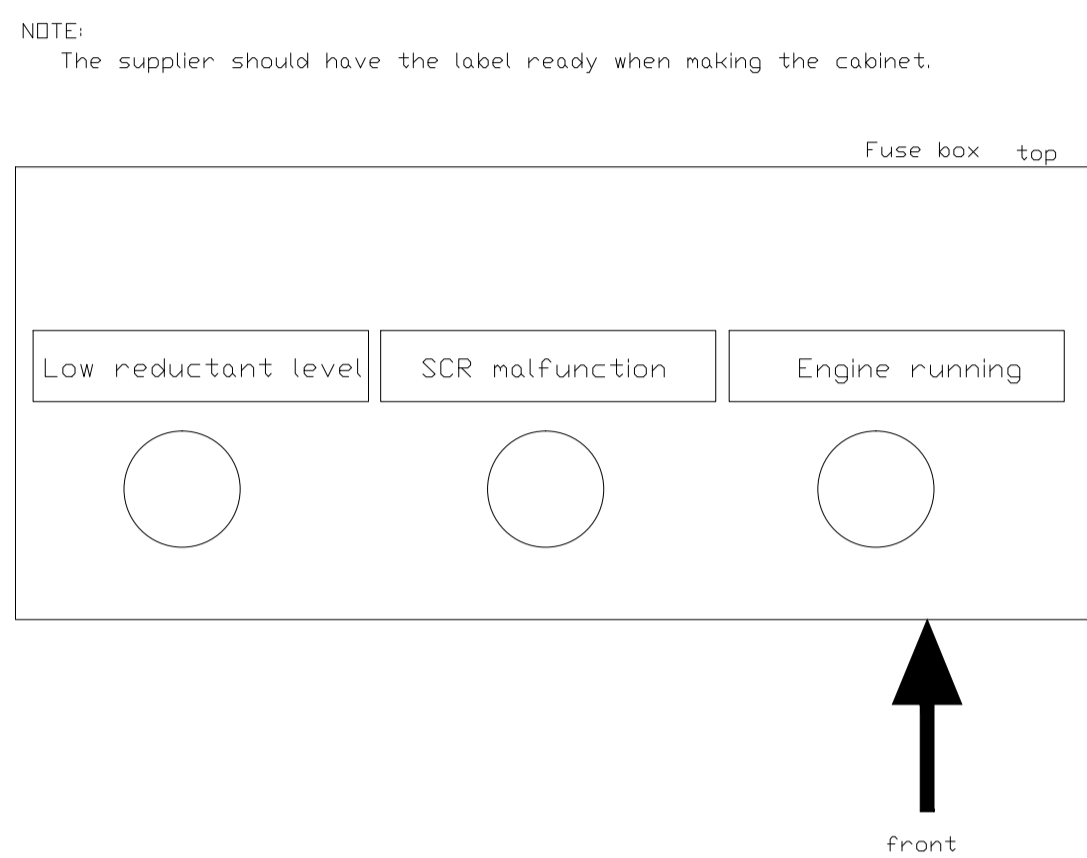
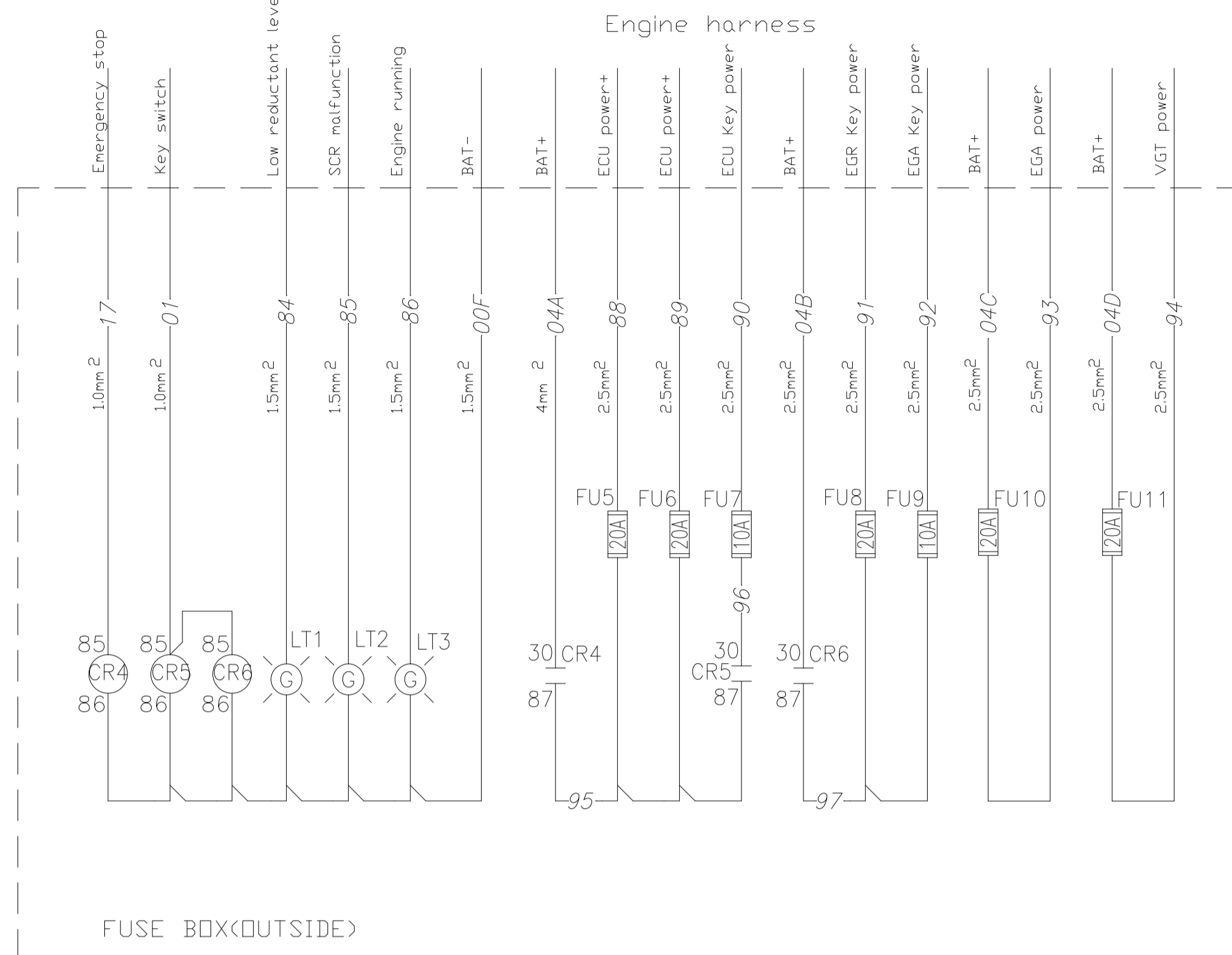


GEN-SET MODEL : A400SS
 ENGINE MODEL : DC13 085A
 CONTROLLER MODEL: DSE-7420MKII
 VOLTAGE: 208V 3P
 FERQUENCY: 60_Hz
 FULL LOAD CURRENT: 1110_A



Item	Name	Date	Item	Name	Date
Designer	3288	2023-04-04	Checked	0757	
Proofread	1278		Approved	0746	
Drq.No	1000035790A400SS		Sheet	1/3	Edition 1.0



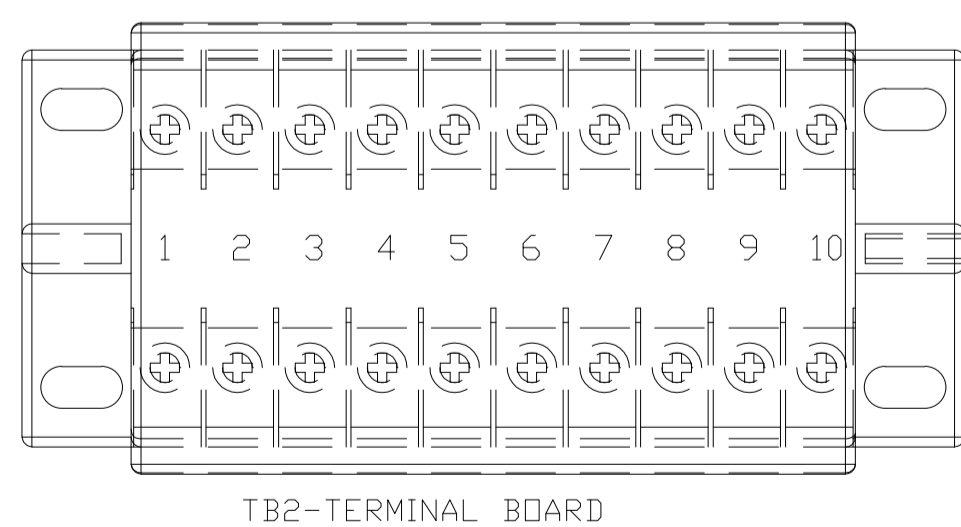
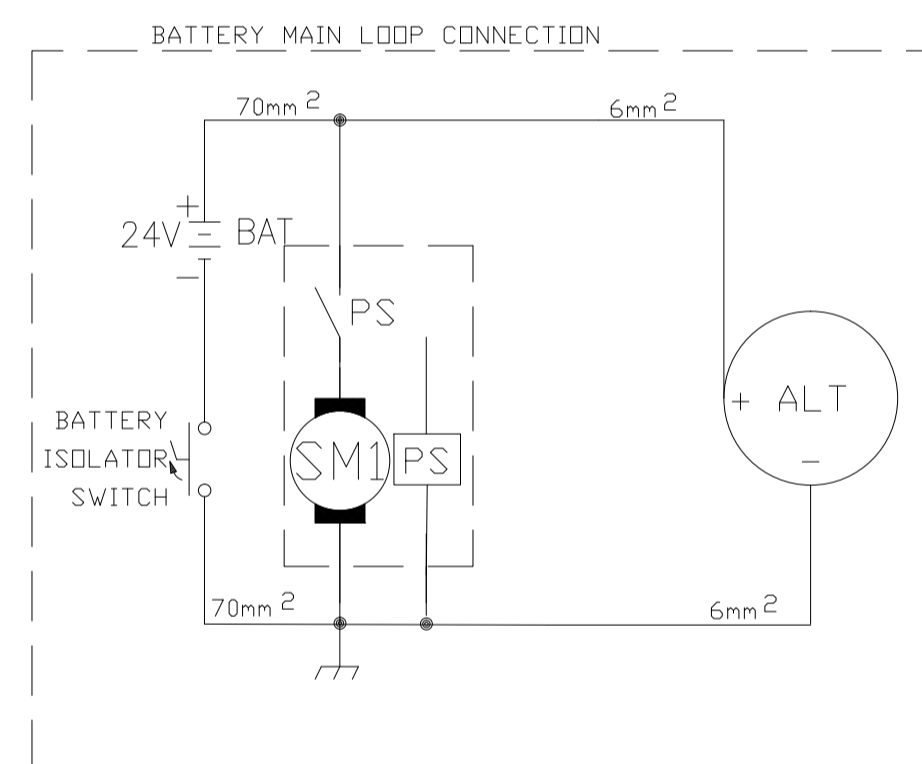


ECU C4001 CONNECTOR

WIRING NO.	TERMINAL NO.
88	1
00A	2
90	3
89	4
00B	5
72	6
73	7
86	8

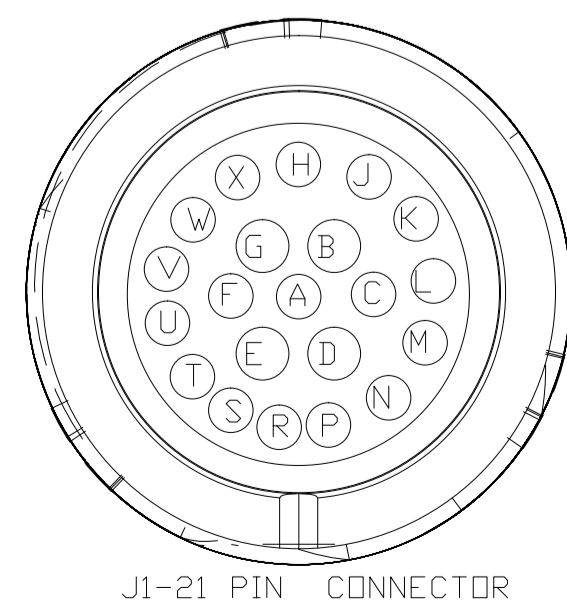
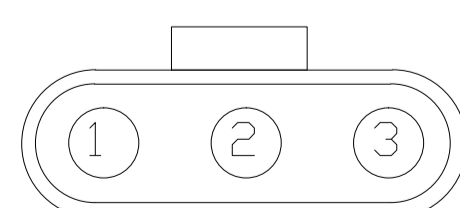
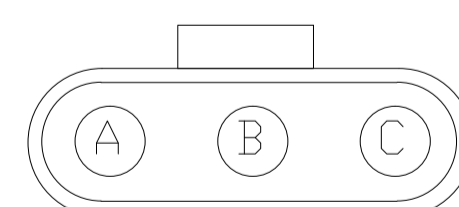
ECU C4002 CONNECTOR

WIRING NO.	TERMINAL NO.
93	1
00C	2
92	3
/	4
00D	5
91	6



ECU C4071 CONNECTOR

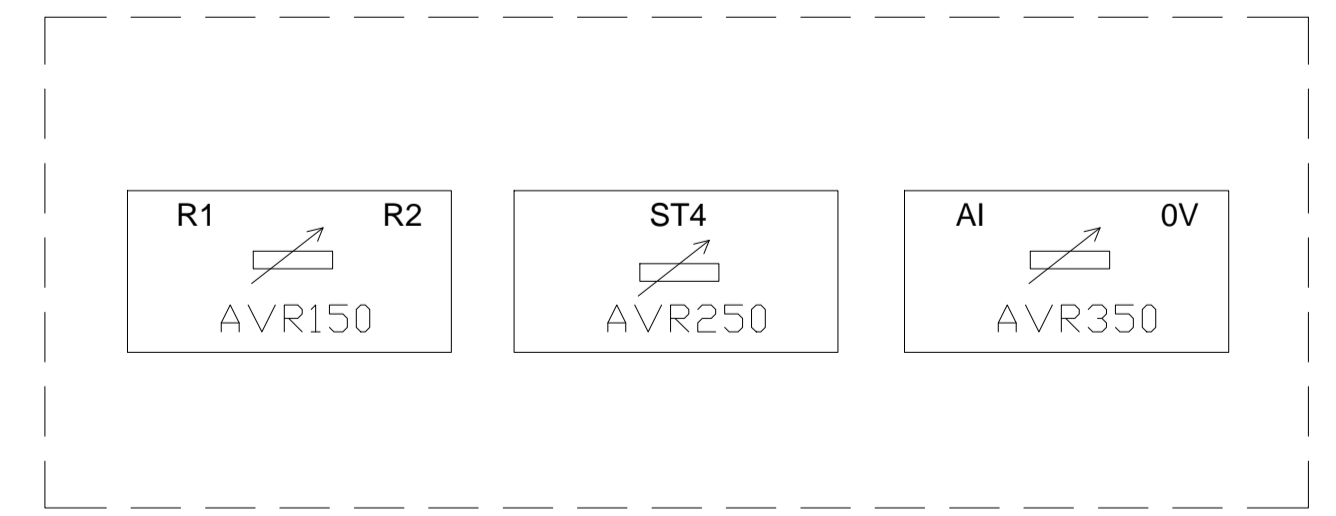
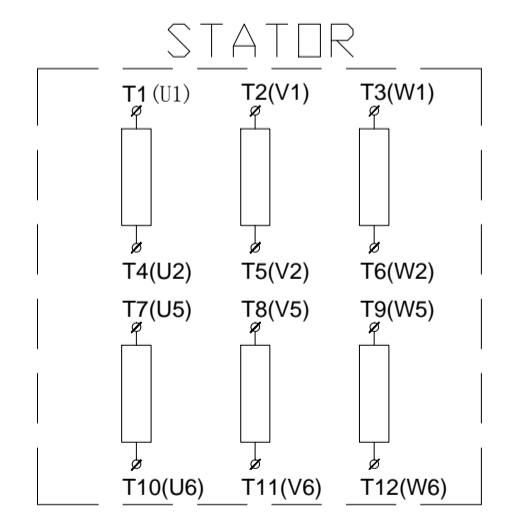
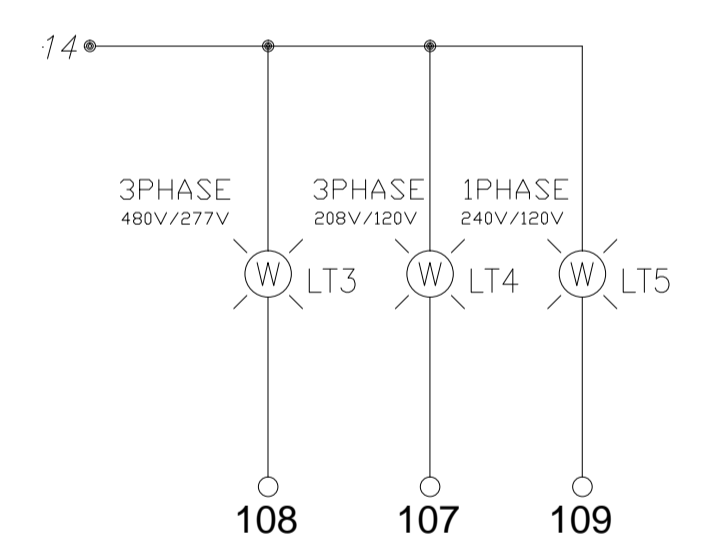
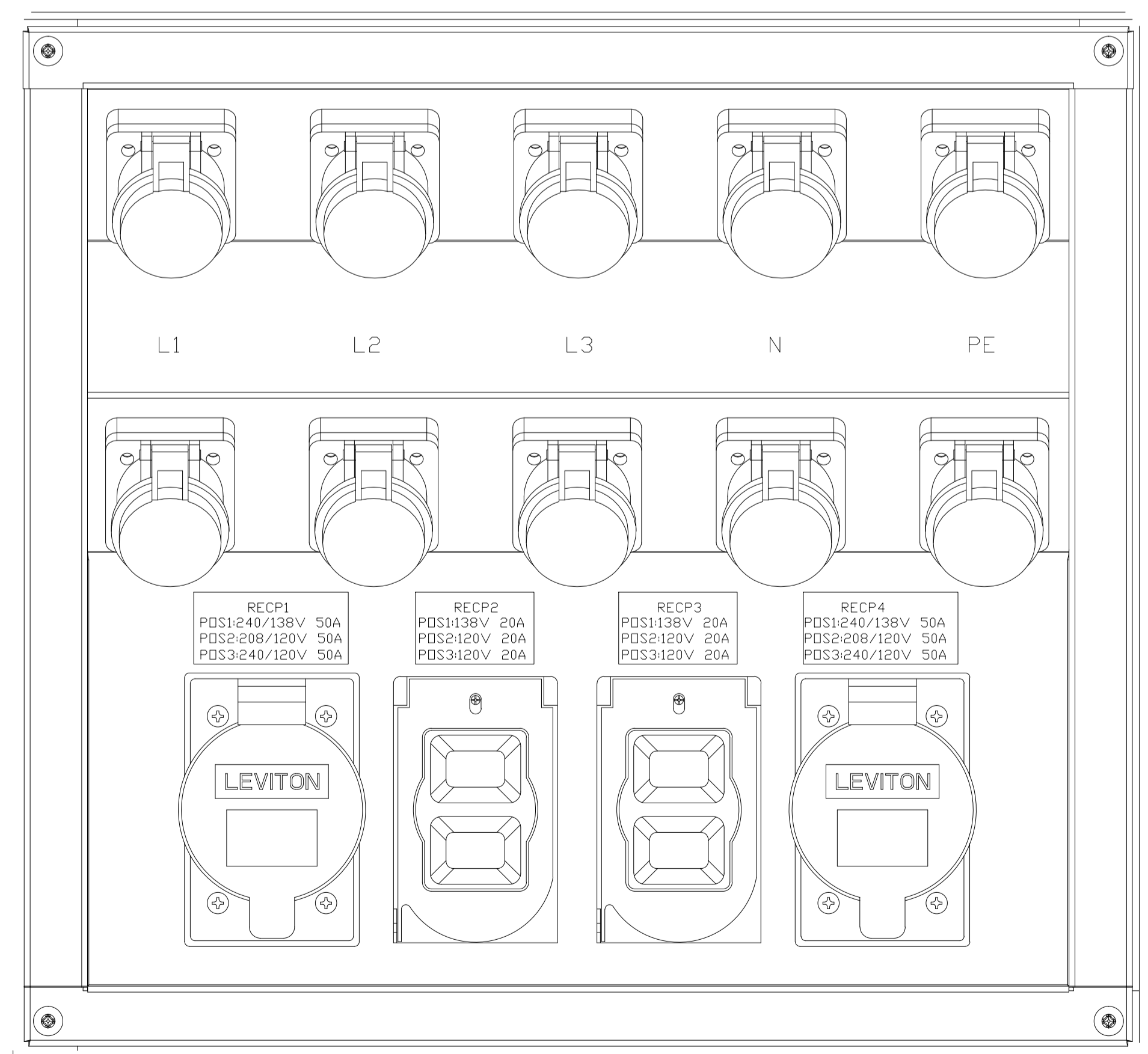
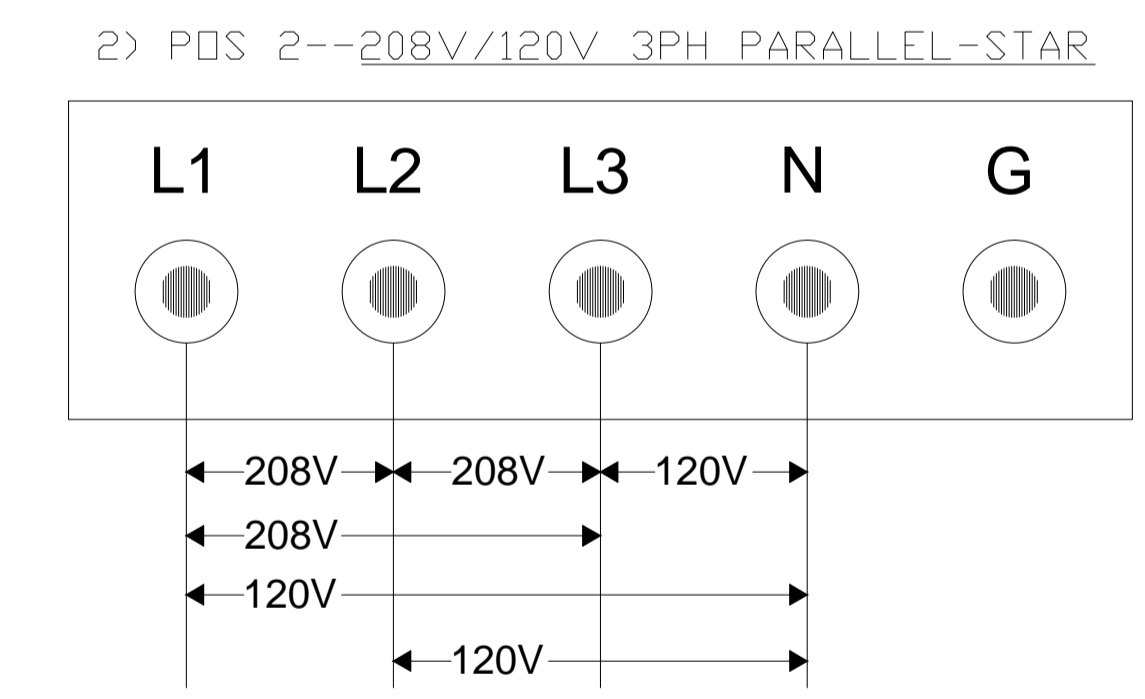
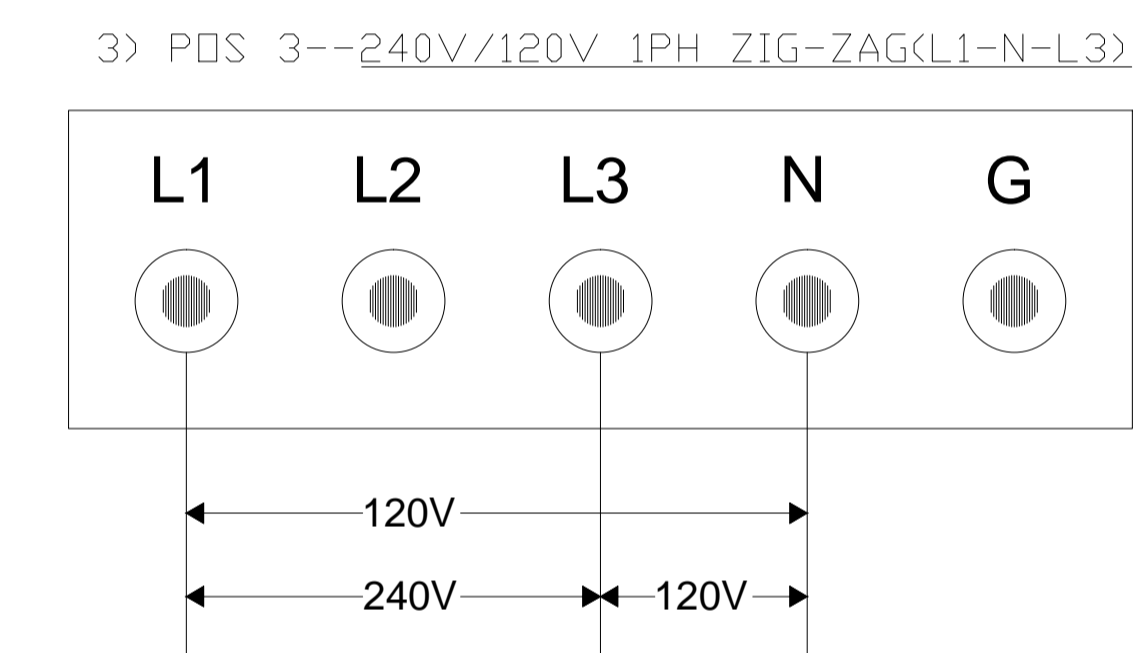
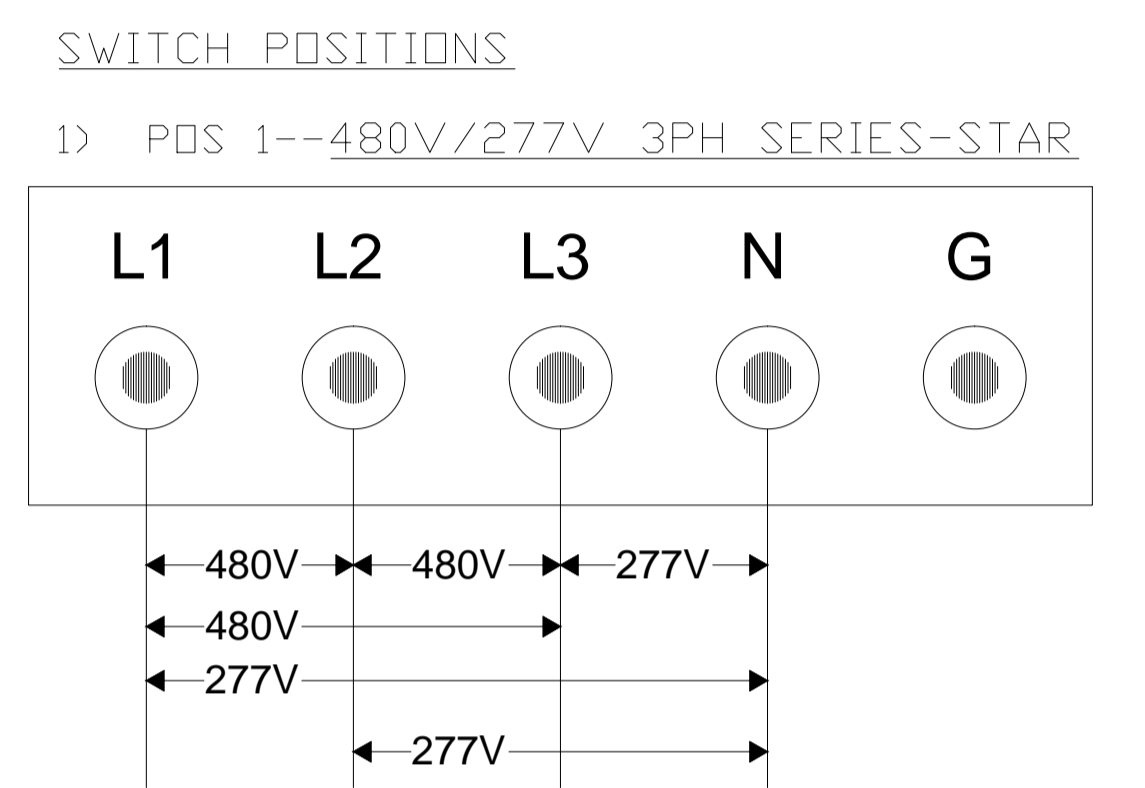
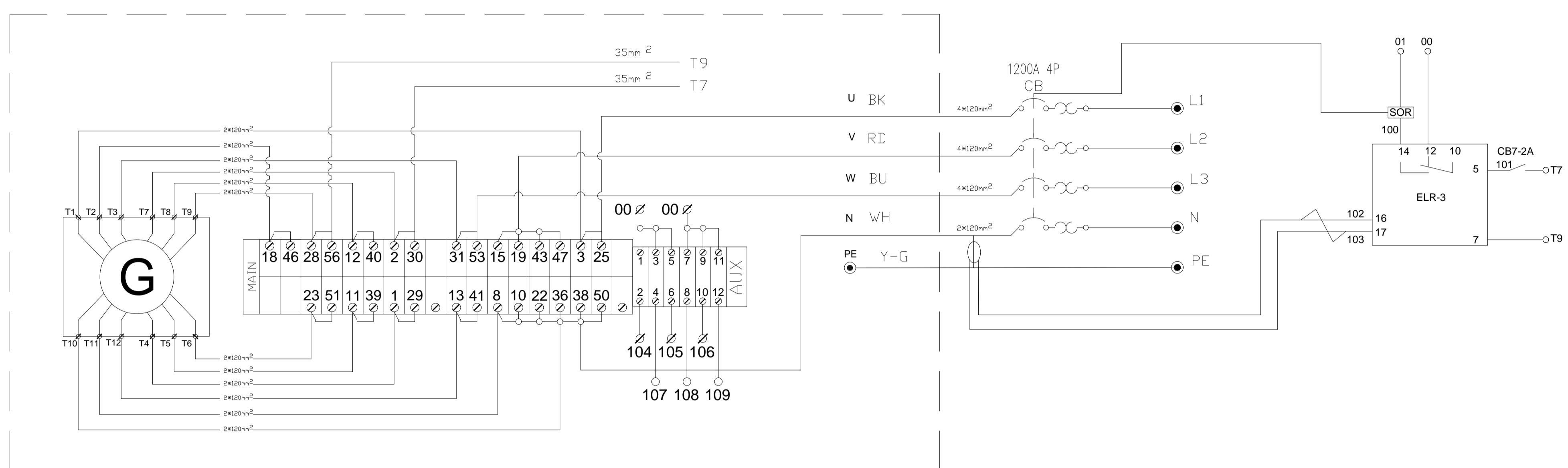
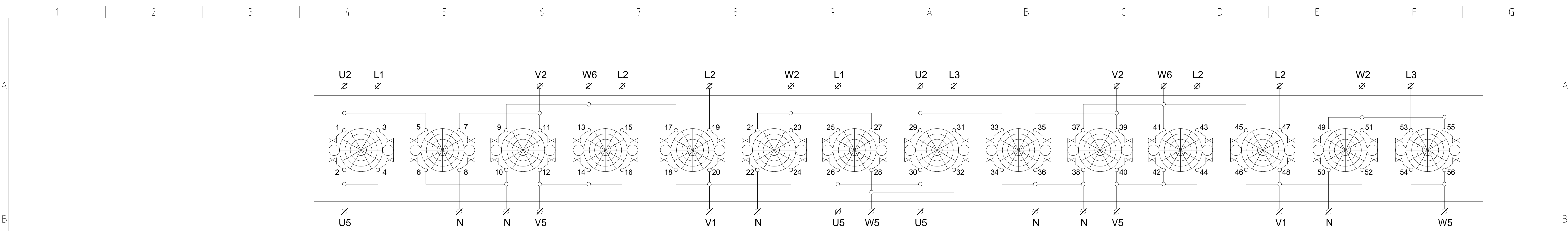
WIRING NO.	TERMINAL NO.
94	1
00E	2
84	3
85	4



SW1: DC POWER SWITCH
EMER.: EMERGENCY STOP
ALT: ALTERNATOR
SM: START MOTOR
CB: CIRCUIT BREAKER
AVR: AUTOMATIC VOLTAGE REGULATOR
ATS: AUTOMATIC TRANSFER SWITCH

Item	Name	Date	Item	Name	Date
Designer	3288	2023-04-04	Checked	0757	
Proofread	1278		Approved	0746	
Drq.No	1000035790A400SS		Sheet	2/3	Edition 1.0

POWERink
Power Systems



Item	Name	Date	Item	Name	Date
Designer	3288	2023-04-04	Checked	0757	
Proofread	1278		Approved	0746	
Drq.No	1000035790A400SS		Sheet	3/3	Edition 1.0

