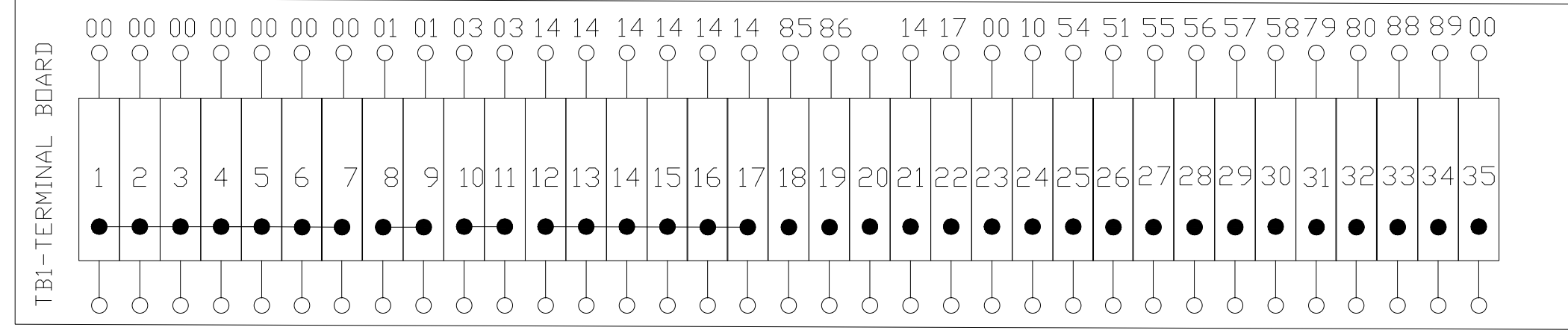


Gen-set Controller DSE7420MKII

GEN-SET MODEL : A17.5KS
 ENGINE MODEL : V1505-E4BG1
 CONTROLLER MODEL: DSE-7420MKII
 VOLTAGE: 208/120V 3P
 FERQUENCY: 60 Hz
 FULL LOAD CURRENT: 50 A



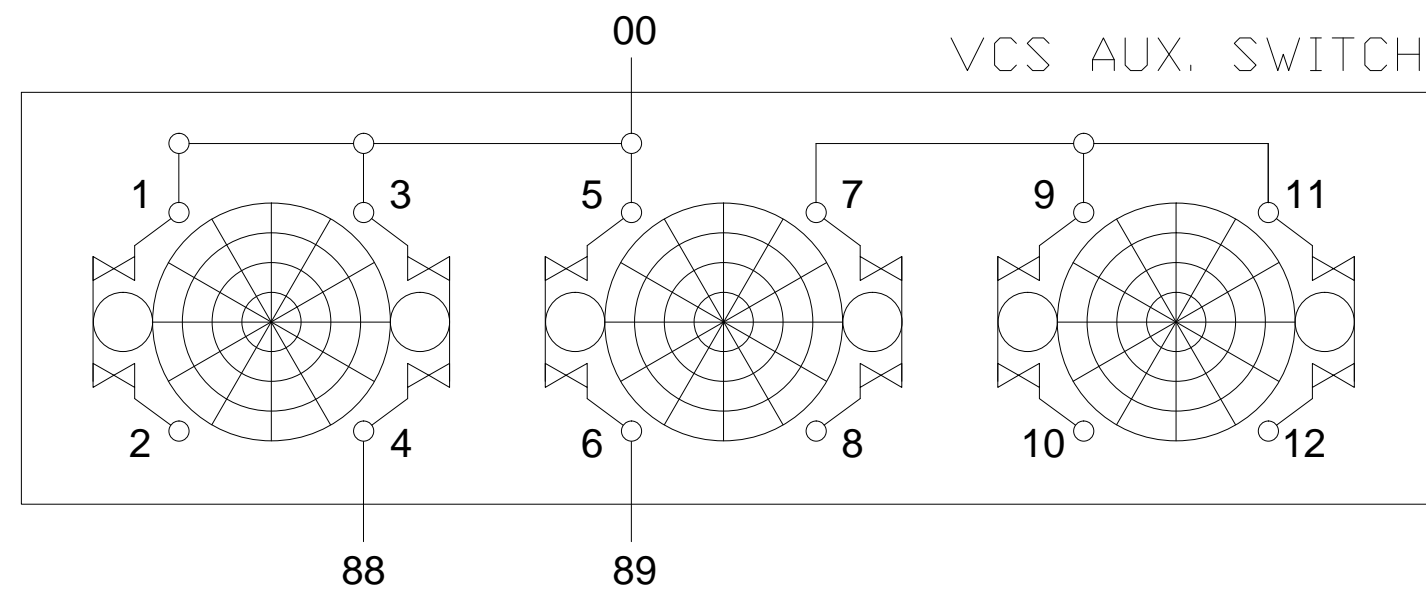
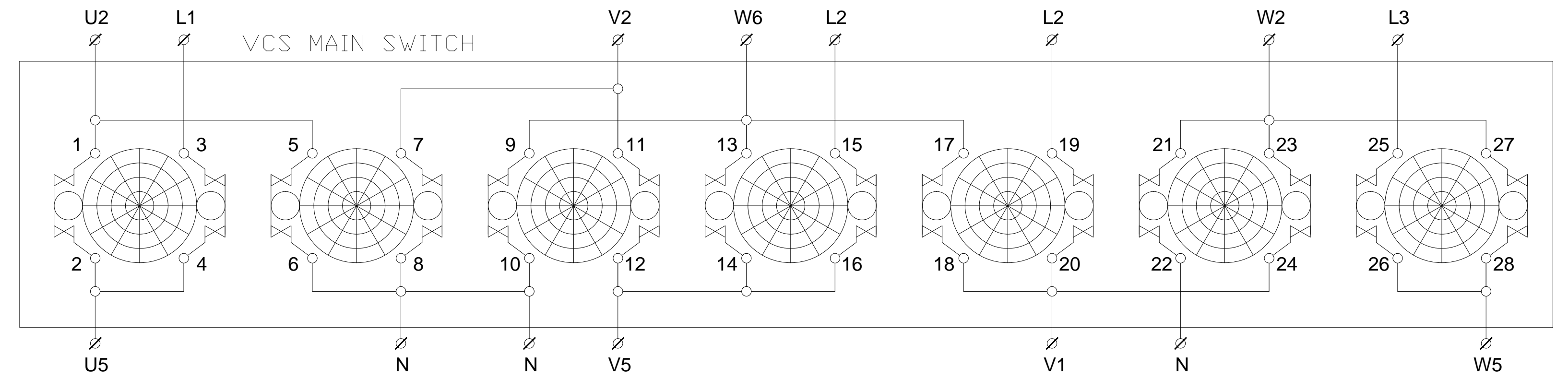
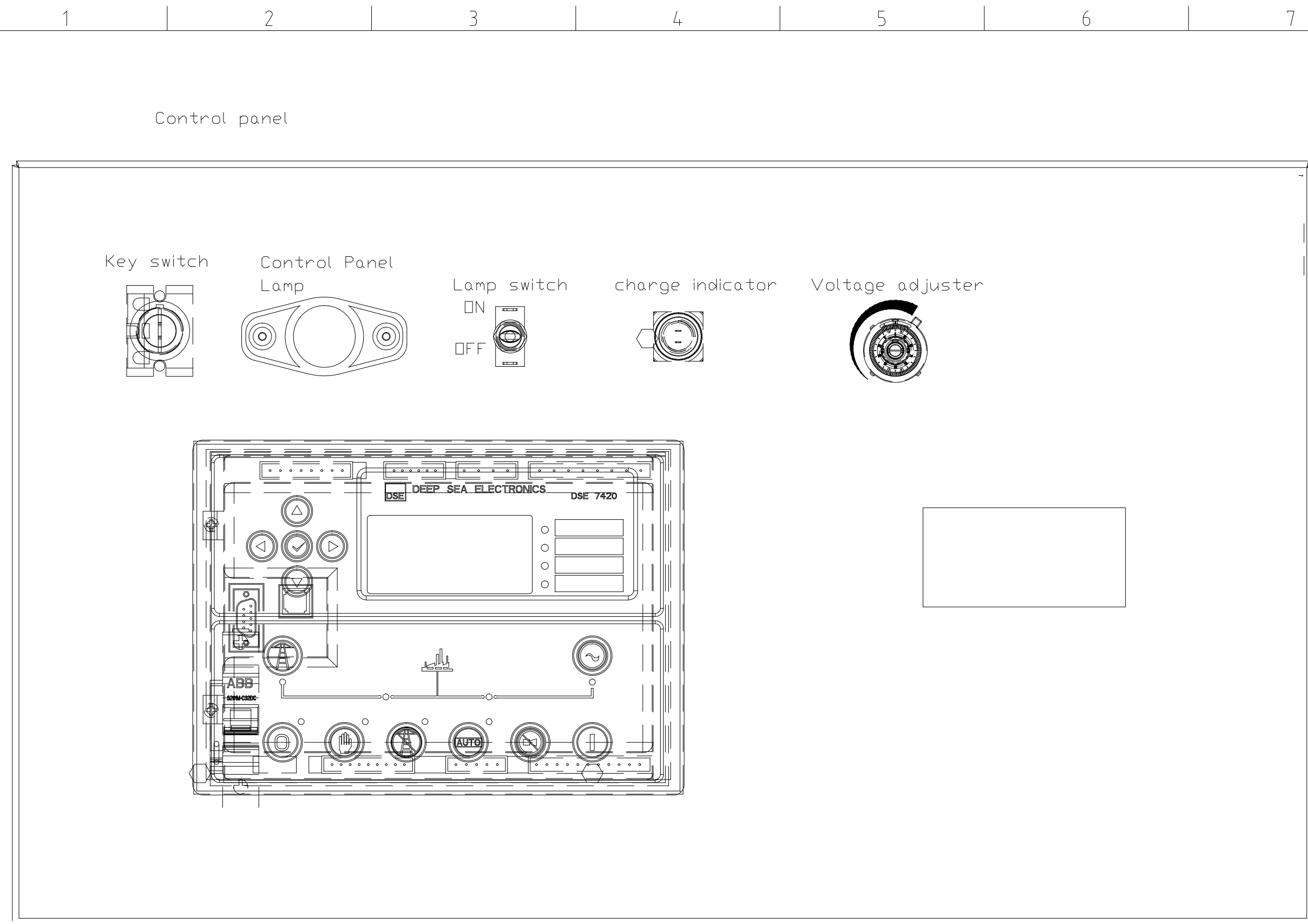
SW1: DC POWER SWITCH
 EMER.: EMERGENCY STOP
 ALT: ALTERNATOR
 SM: START MOTOR

CB: CIRCUIT BREAKER
 AVR: AUTOMATIC VOLTAGE REGULATOR
 ATS: AUTOMATIC TRANSFER SWITCH

NOTICE1:
 (1)DEFAULT CONFIG<MAIN CONFIG>:480V/277V 3PH;
 (2)ALT. CONFIG1:208V/120V 3PH;
 (3)ALT. CONFIG2:240V/120V 1PH;
 (4)EX-FACTORY STATUS:208V/120V 3PH;

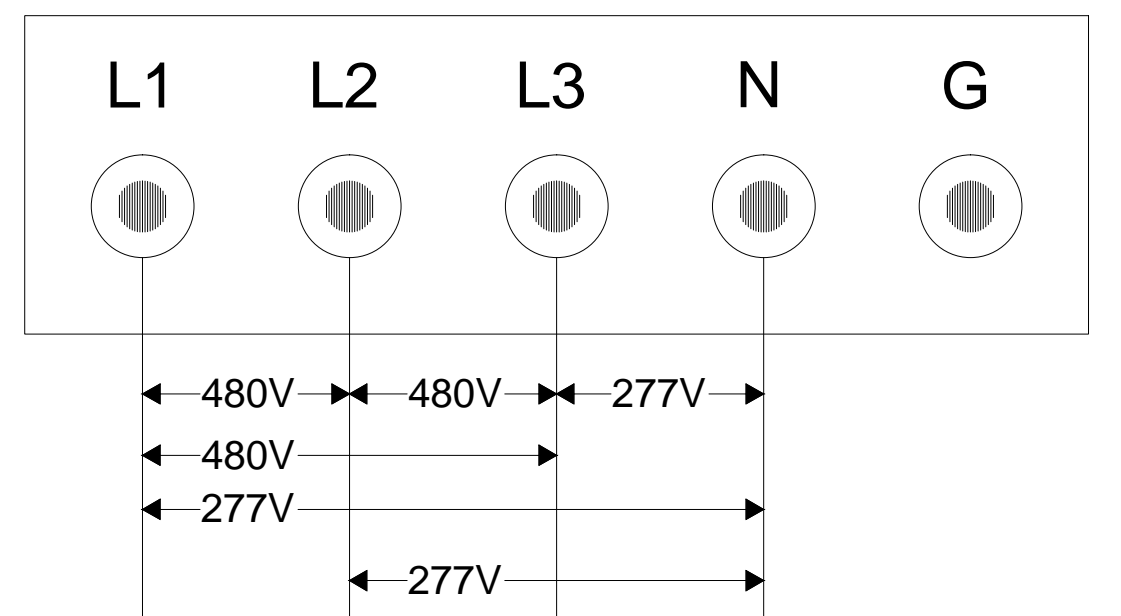
Item	Name	Date	Item	Name	Date
Designer	3288	2022-9-16	Checked	0757	
Proofread	1278		Approved	0746	
Drq.No	1000035624A17.5KS		Sheet	1/1	Edition 4.0



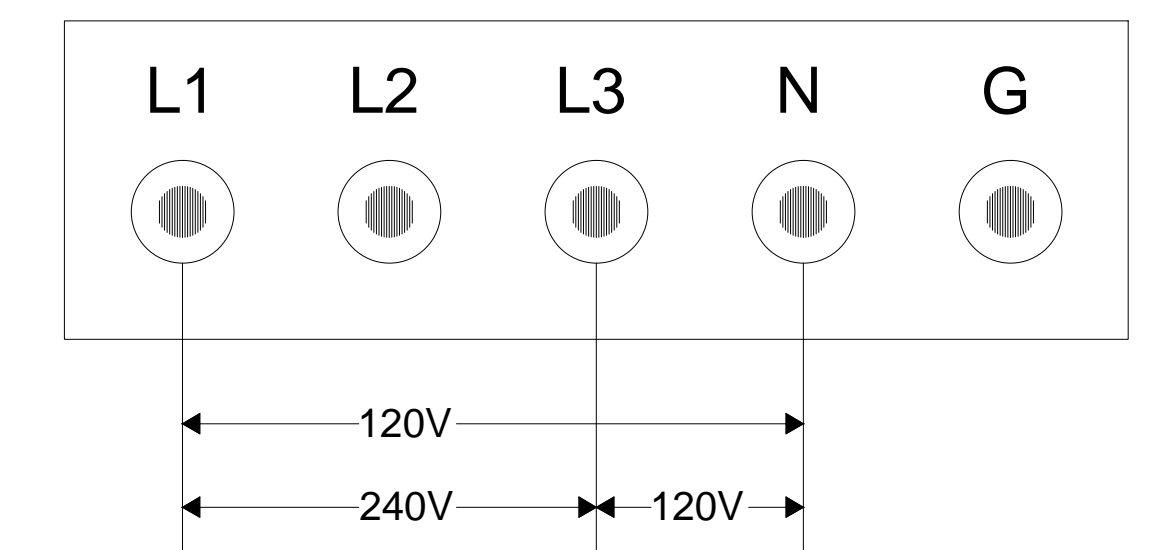


SWITCH POSITIONS

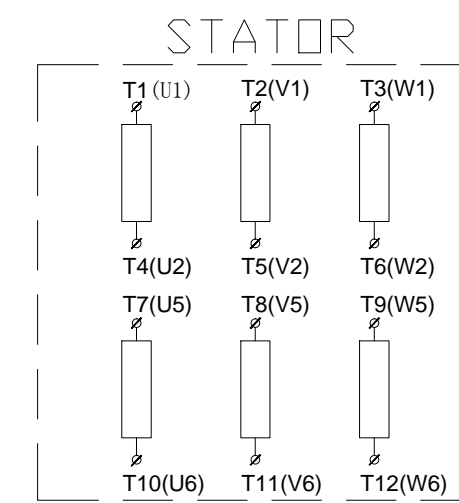
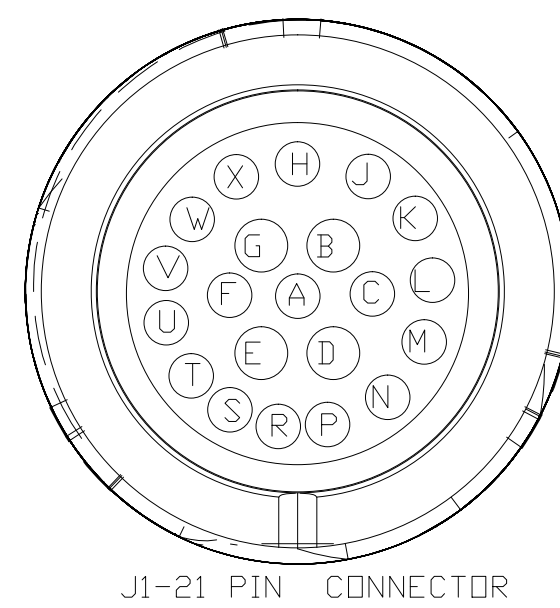
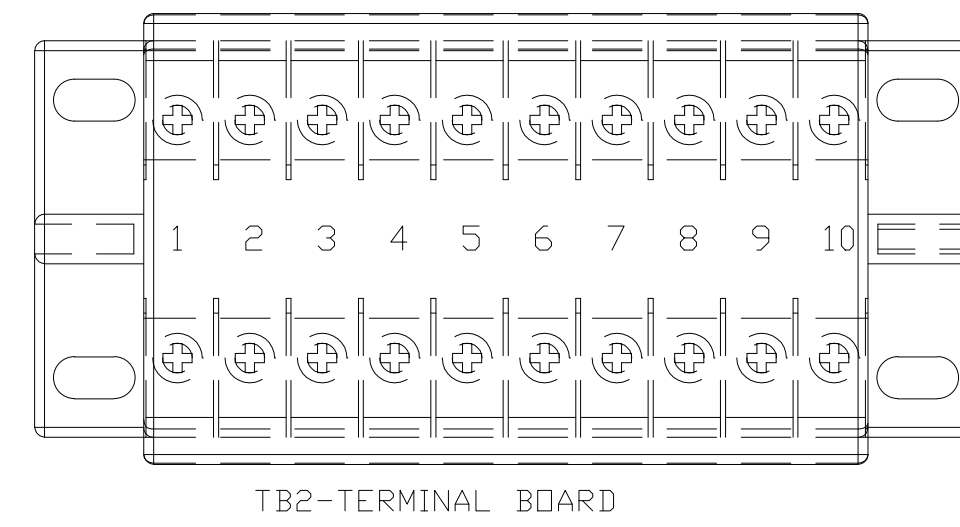
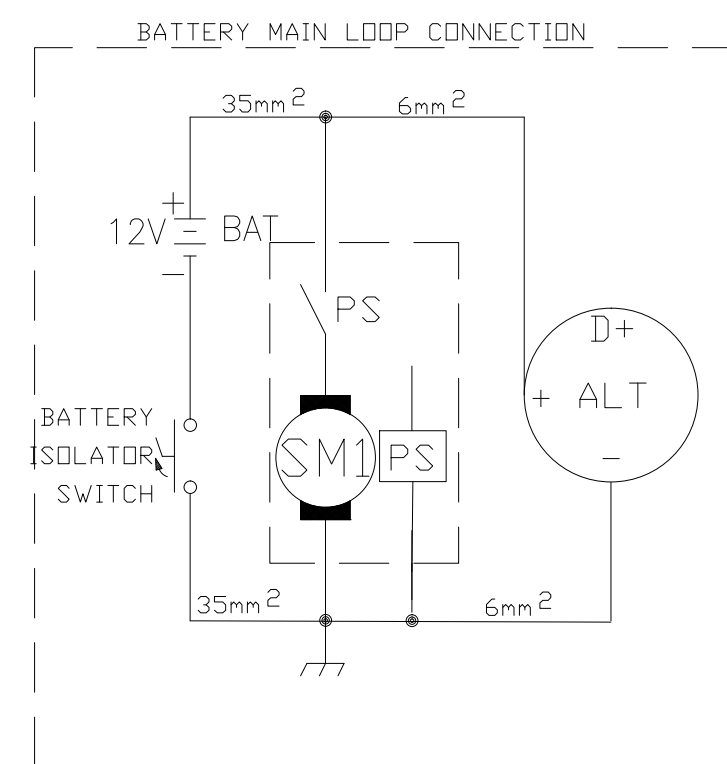
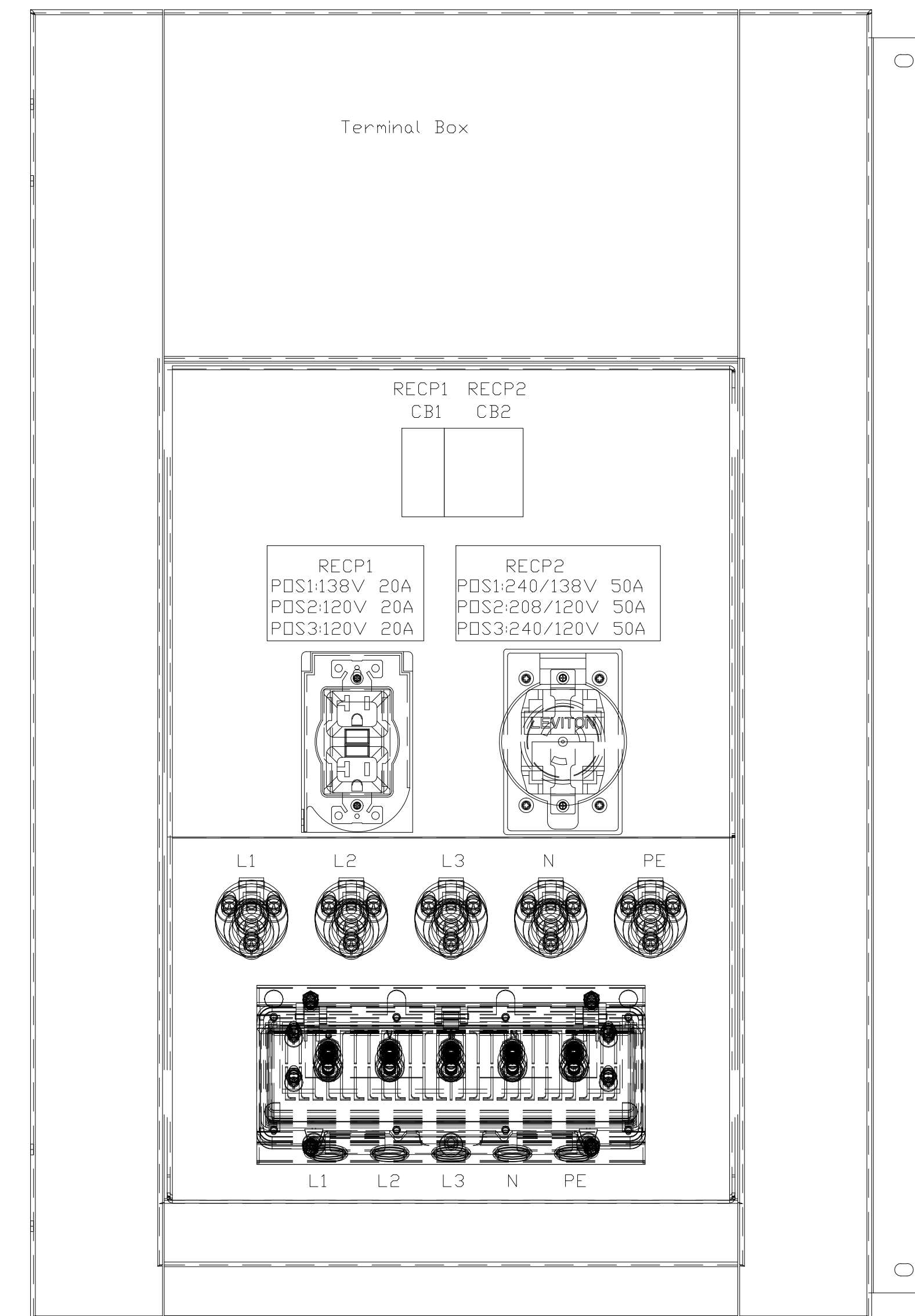
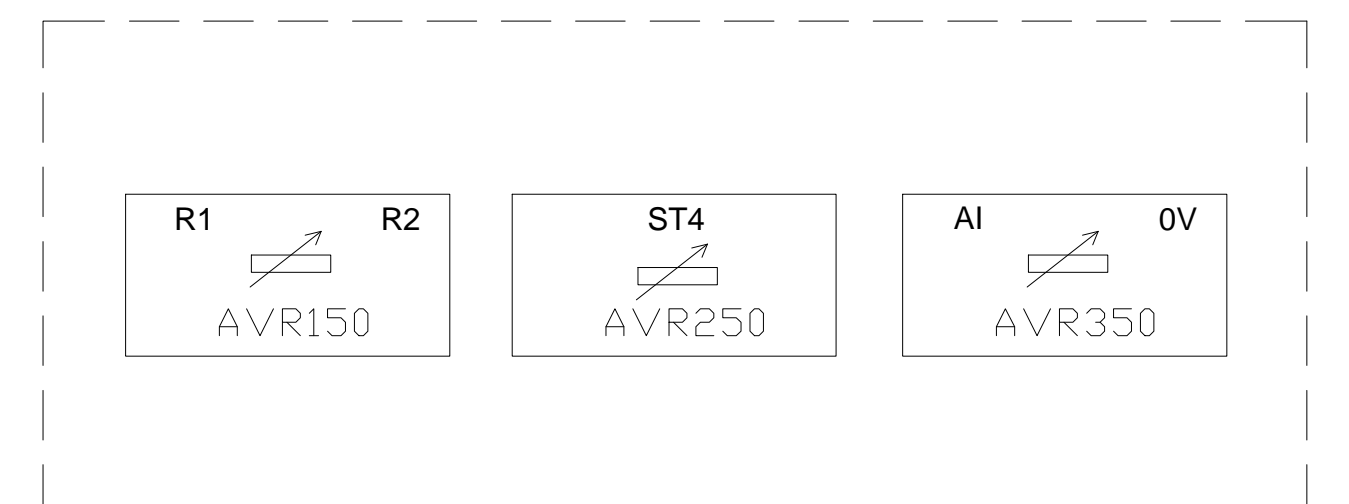
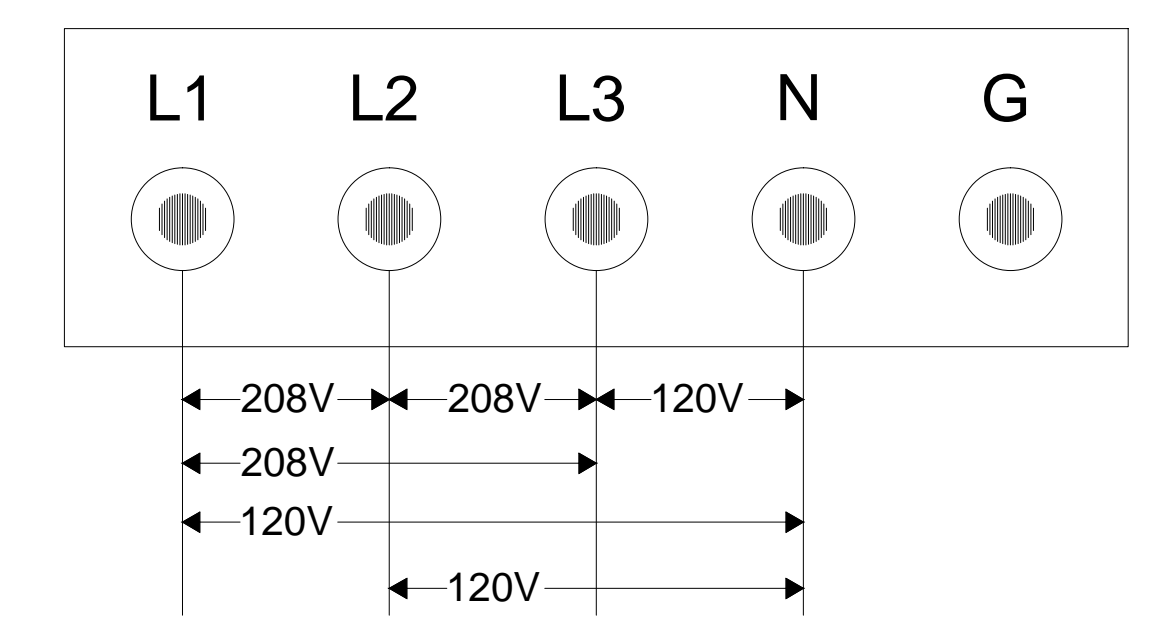
1) POS 1--480V/277V 3PH SERIES-STAR



3) POS 3--240V/120V 1PH ZIG-ZAG(L1-N-L3)



2) POS 2--208V/120V 3PH PARALLEL-STAR



Item	Name	Date	Item	Name	Date
Designer	3288	2022-9-16	Checked	0757	
Proofread	1278		Approved	0746	
Drq.No	1000035624A17.5KS		Sheet	2/2	Edition 4.0