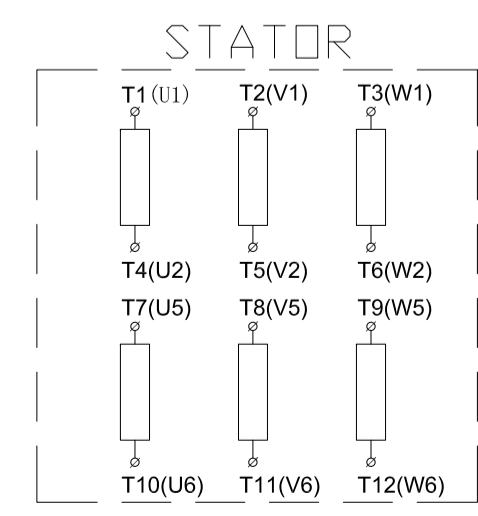
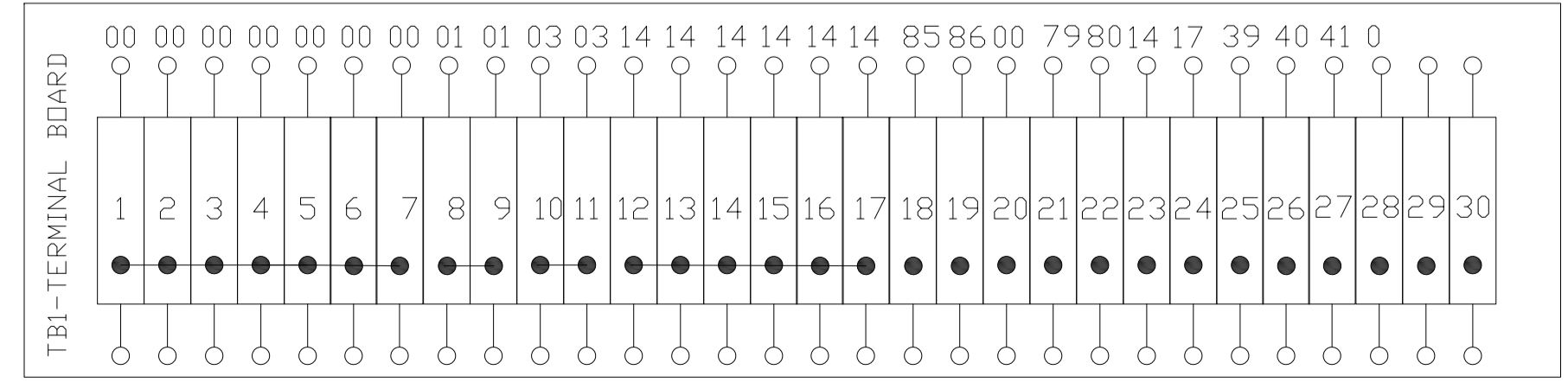


GEN-SET MODEL : A100JS  
 ENGINE MODEL : 4045HFG04  
 CONTROLLER MODEL : DSE-7420MKII  
 VOLTAGE : 208V 3P  
 FERQUENCY : 60 Hz  
 FULL LOAD CURRENT : 278 A



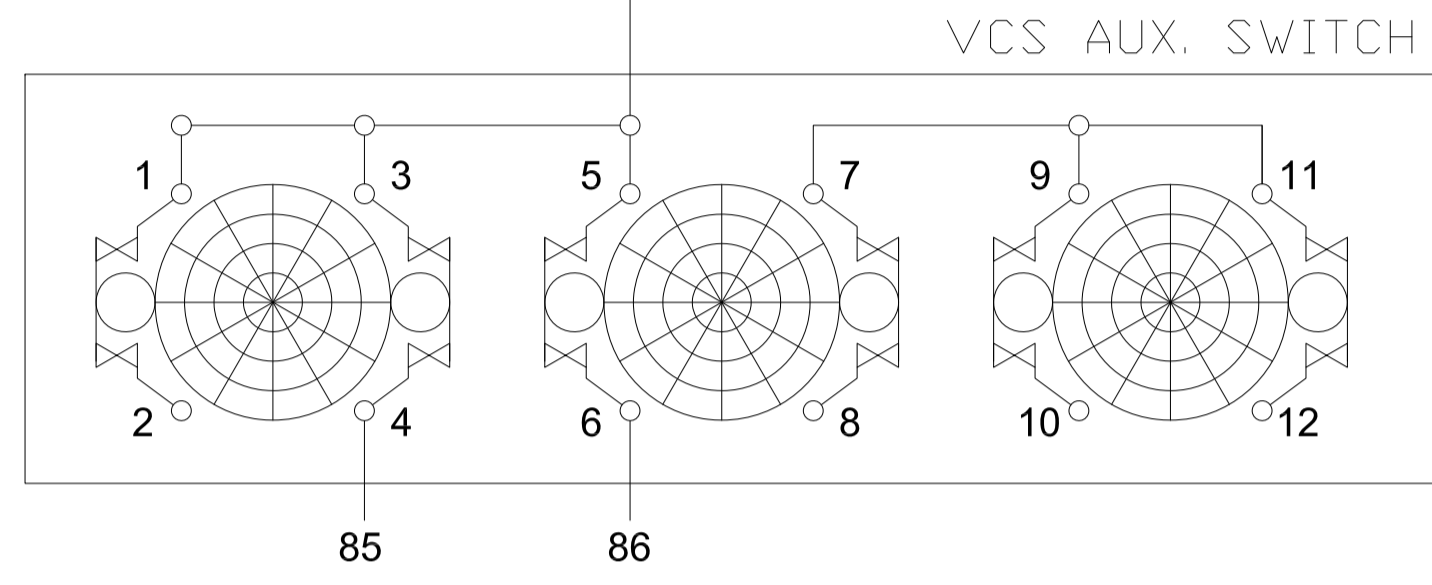
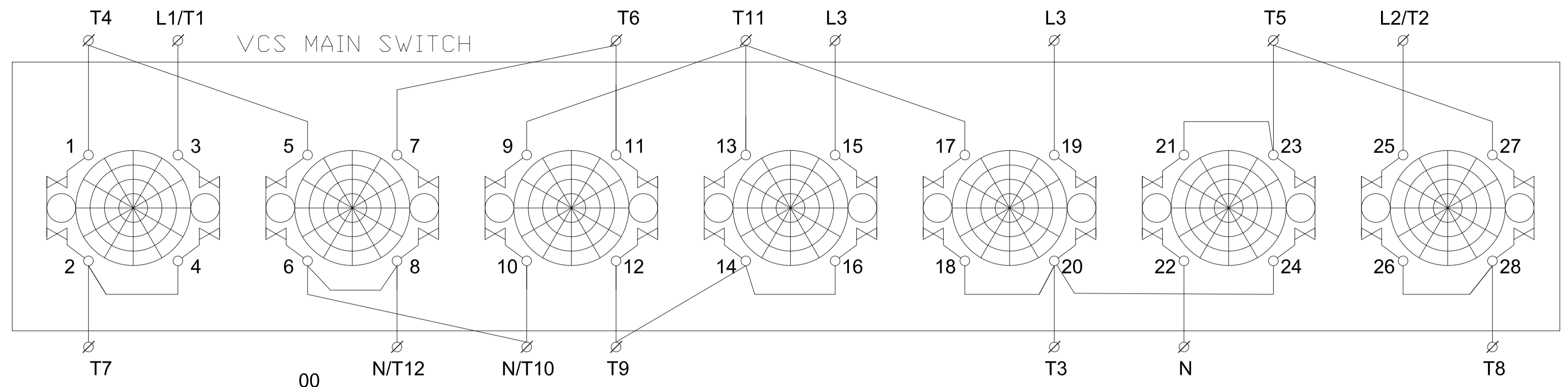
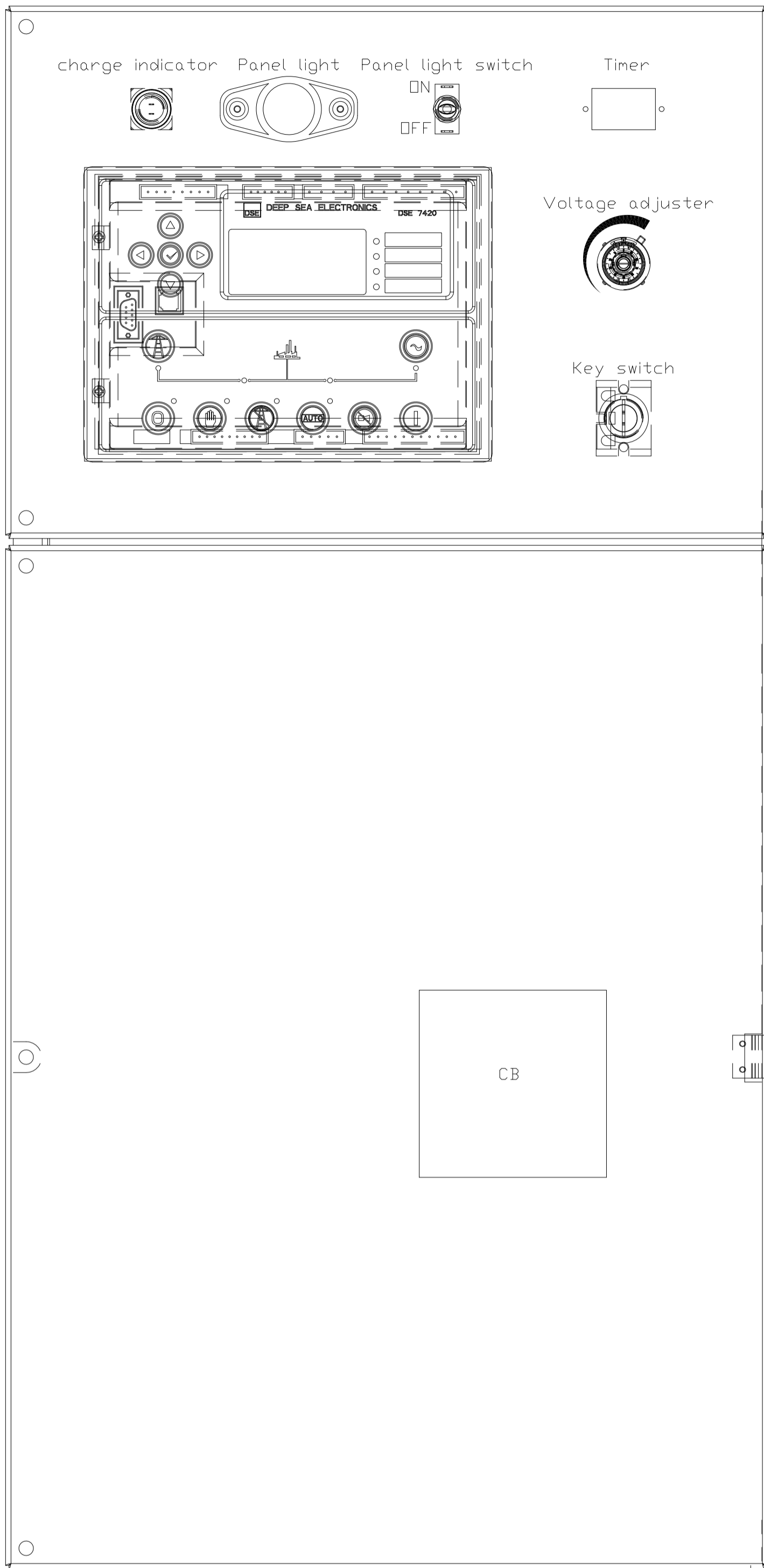
SW1: DC POWER SWITCH  
 EMER: EMERGENCY STOP  
 ALT: ALTERNATOR  
 SM: START MOTOR  
 CB: CIRCUIT BREAKER  
 AVR: AUTOMATIC VOLTAGE REGULATOR  
 ATS: AUTOMATIC TRANSFER SWITCH

NOTICE1:  
 (1) DEFAULT CONFIG.(MAIN CONFIG.)>480V/277V 3PH;  
 (2) ALT. CONFIG1:208V/120V 3PH;  
 (3) ALT. CONFIG2:240V/120V 1PH;  
 (4) EX-FACTORY STATUS:208V/120V 3PH;

Item	Name	Date	Item	Name	Date
Designer	3093	2022-5-10	Checked	0757	
Proofread	1278		Approved	0746	
Drq.No	1000034658A100JS		Sheet	1/2	Edition 2.0

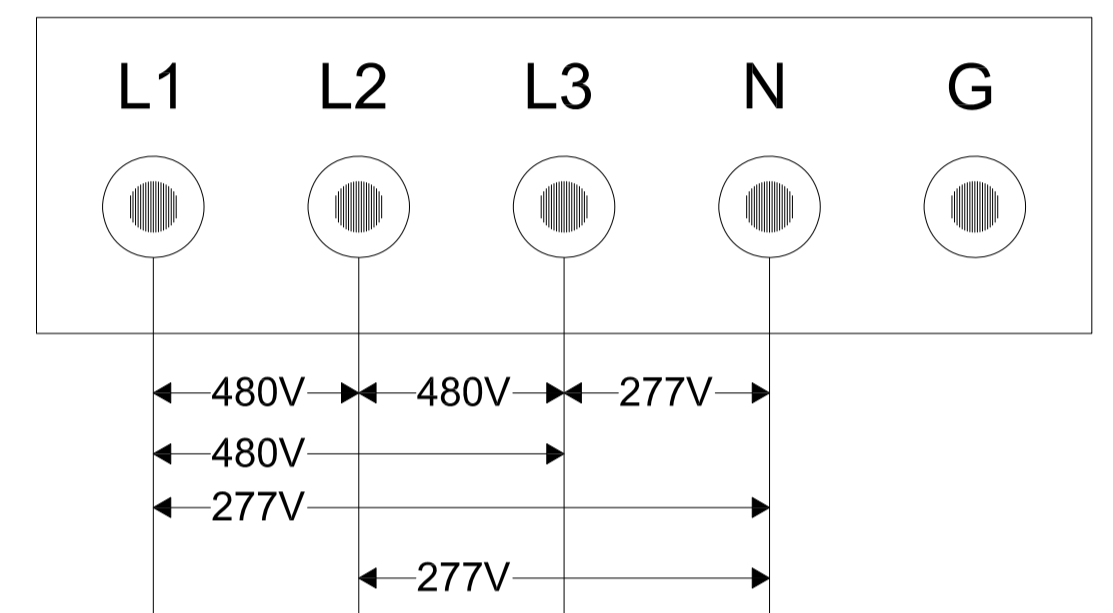


Control panel

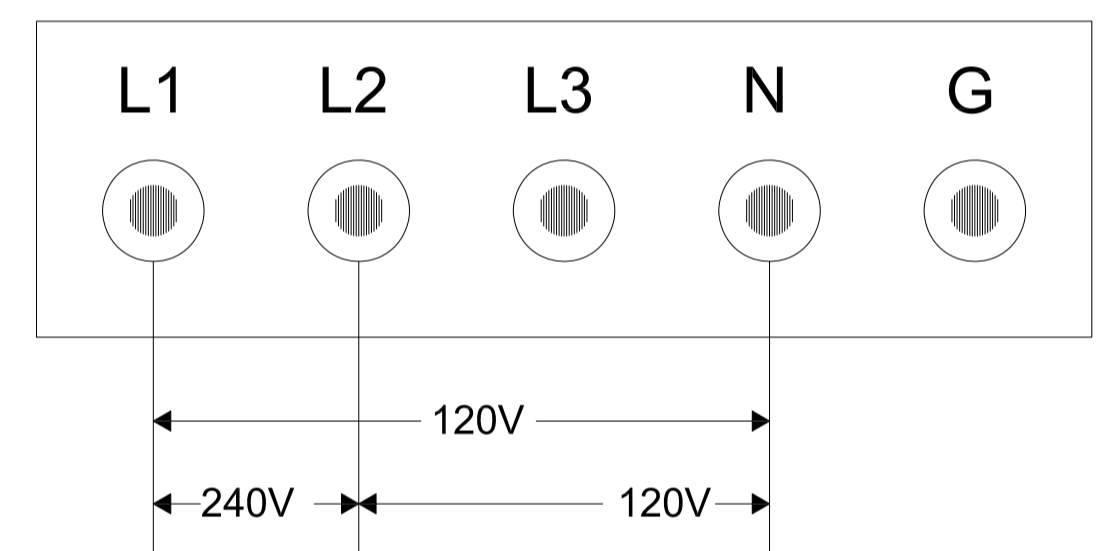


SWITCH POSITIONS

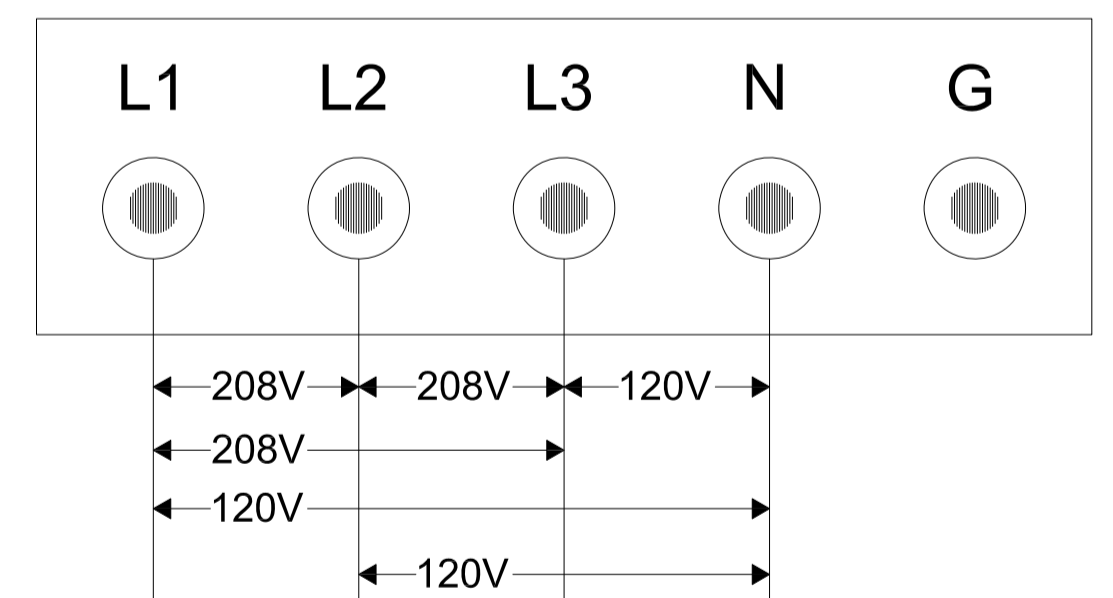
1) PDS 1--480V/277V 3PH SERIES-STAR



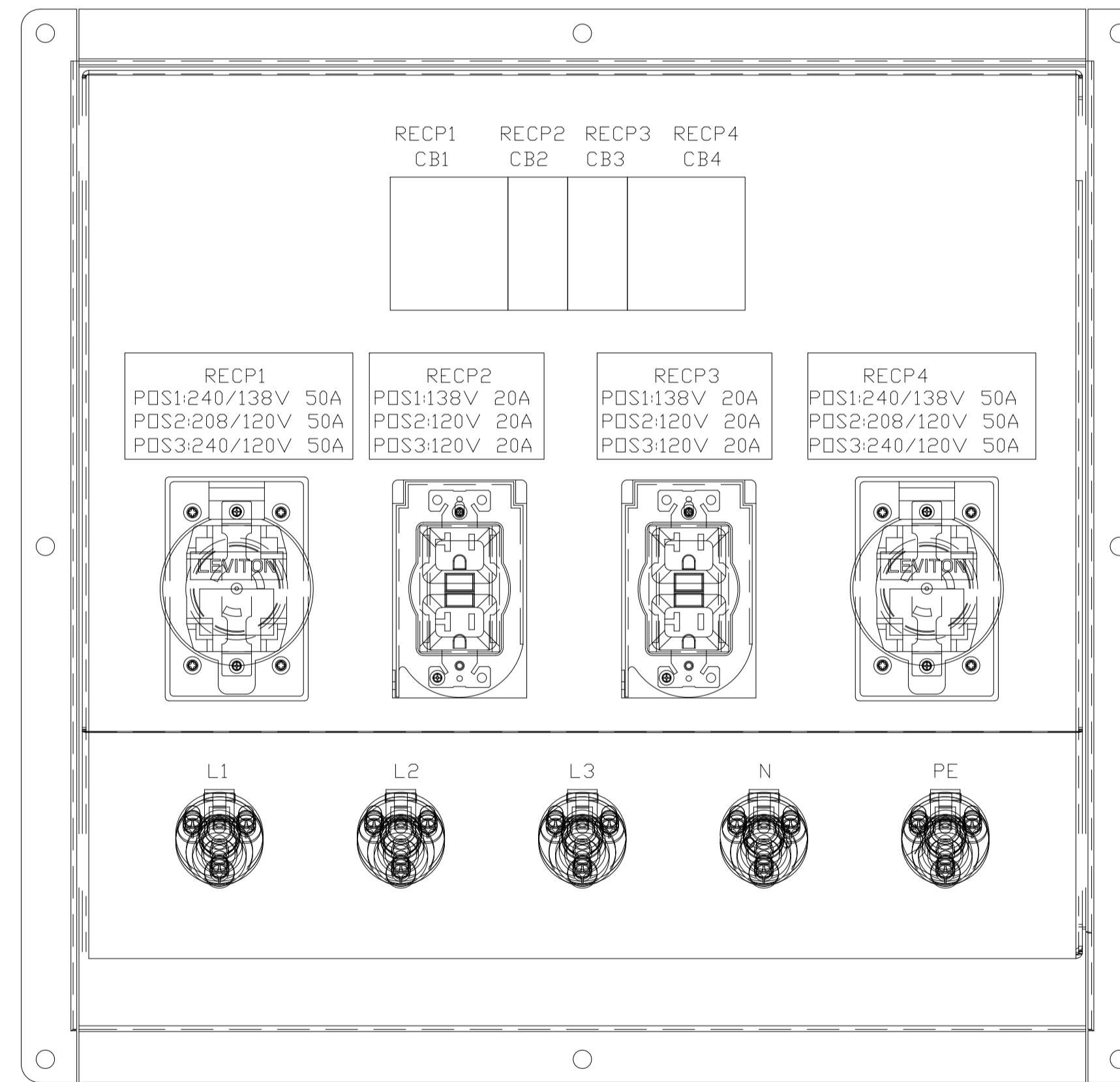
3) PDS 3--240V/120V 1PH ZIG-ZAG(L1-N-L2)



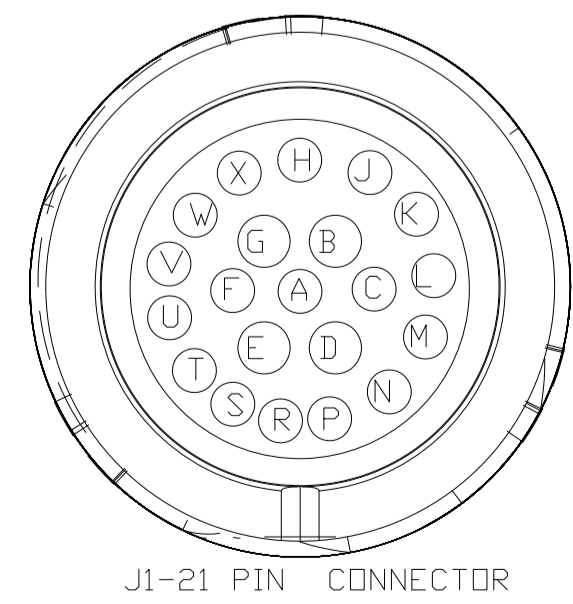
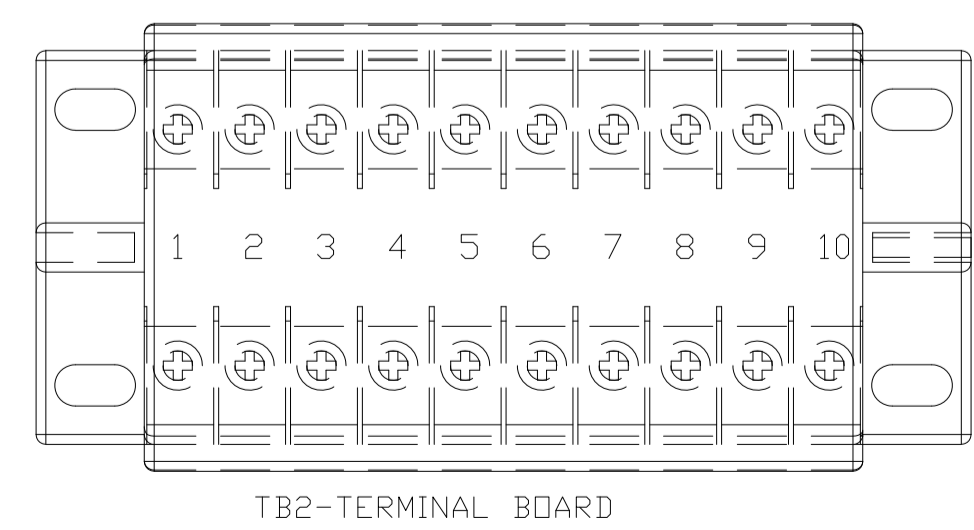
2) PDS 2--208V/120V 3PH PARALLEL-STAR



Terminal Box

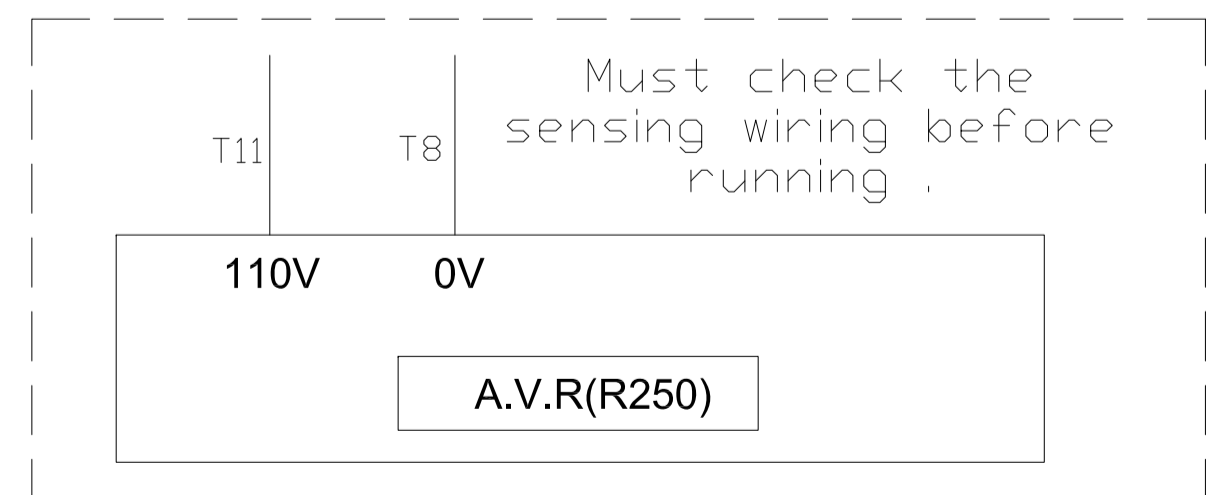
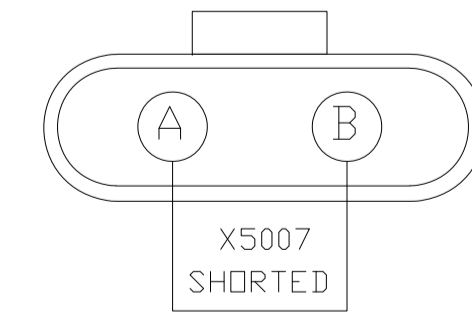
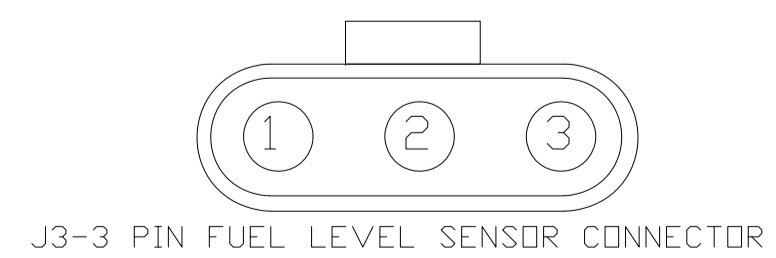
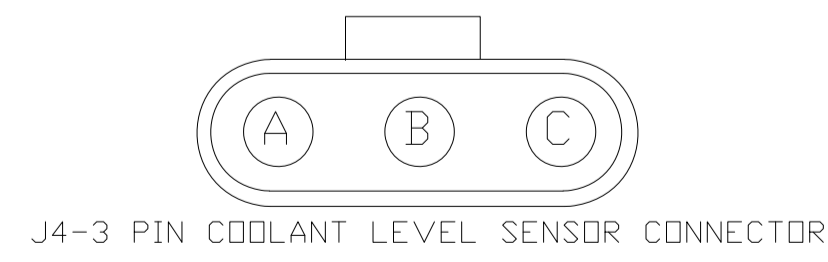


RECP1 PDS1:240/138V 50A PDS2:208/120V 50A PDS3:240/120V 50A	RECP2 PDS1:138V 20A PDS2:120V 20A PDS3:120V 20A	RECP3 PDS1:138V 20A PDS2:120V 20A PDS3:120V 20A	RECP4 PDS1:240/138V 50A PDS2:208/120V 50A PDS3:240/120V 50A
--	--	--	--



ECU

WIRING NO.	TERMINAL NO.
00	E
04	B
38	D
09	J
37	G
72	V
73	U
SCR	F



Item	Name	Date	Item	Name	Date
Designer	3093	2022-5-10	Checked	0757	
Proofread	1278		Approved	0746	
Drq.No	1000034658A100JS		Sheet	2/2	Edition 2.0

