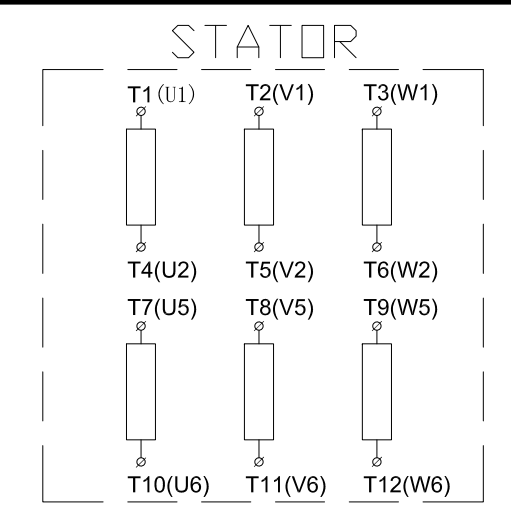
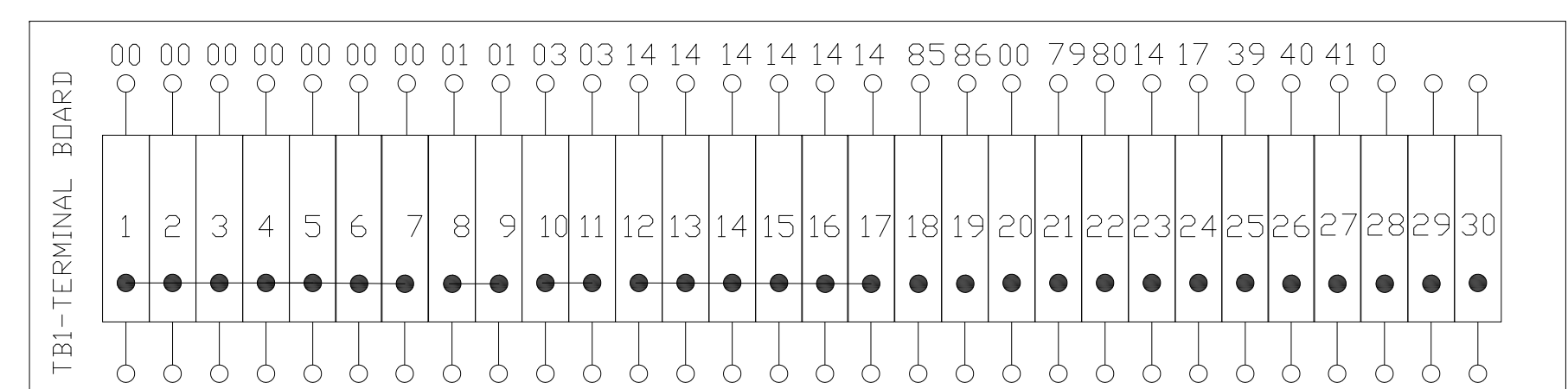


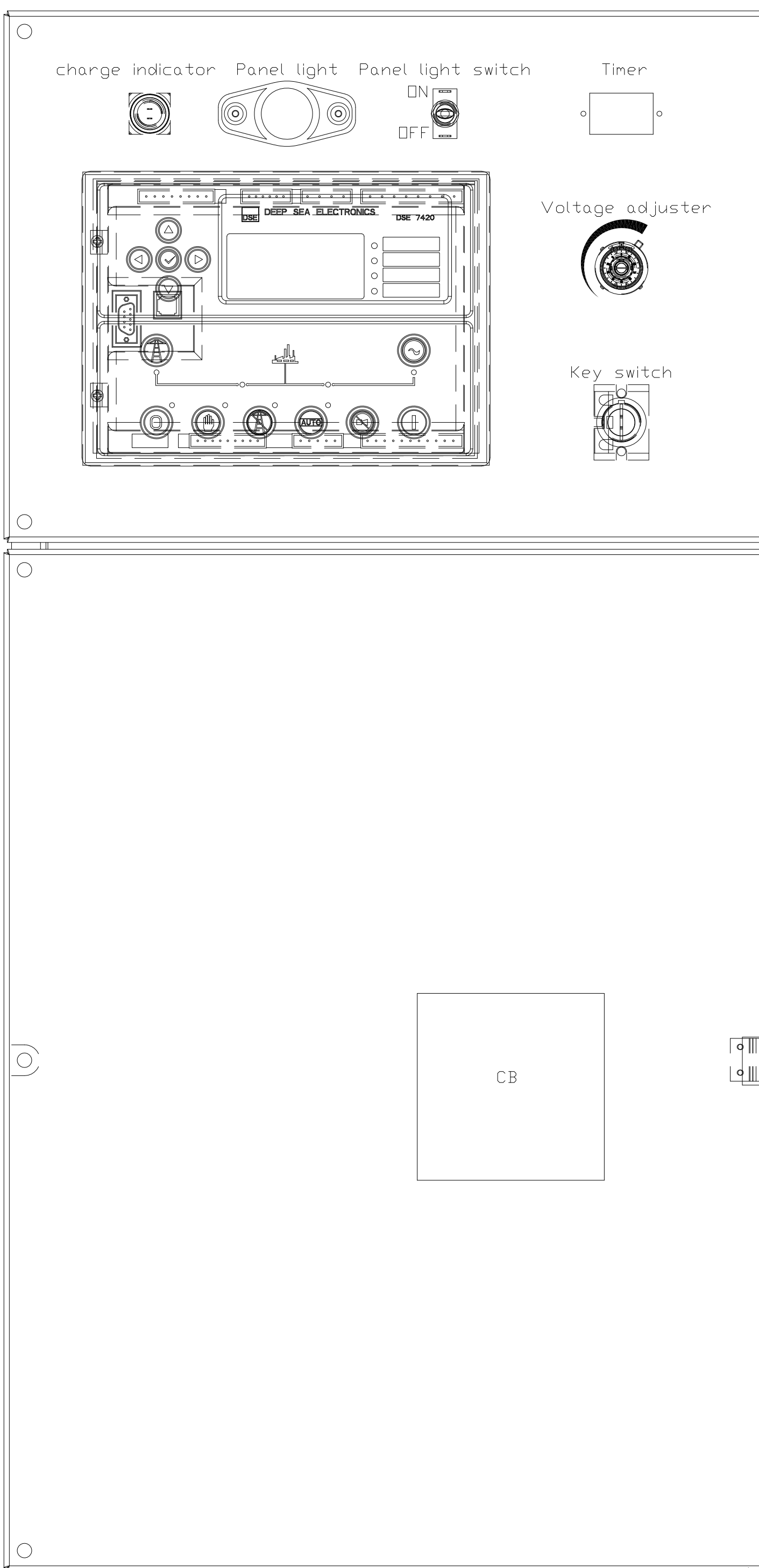
GEN-SET MODEL : A180JS
ENGINE MODEL : 6068HG550
CONTROLLER MODEL: DSE-7420MKII
VOLTAGE: 208V 3P
FERQUENCY: 60 Hz
FULL LOAD CURRENT: 497 A



Item	Name	Date	Item	Name	Date
Designer	3093	2022-5-10	Checked	0757	
Proofread	1278		Approved	0746	
Drq.No	1000033355A180JS		Sheet	1/2	Edition
					3.0

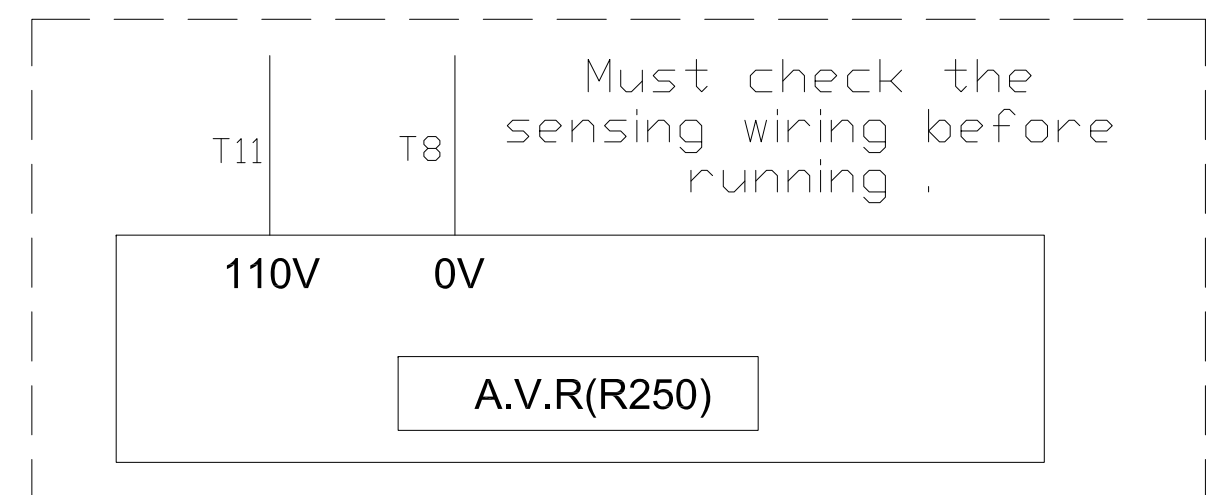
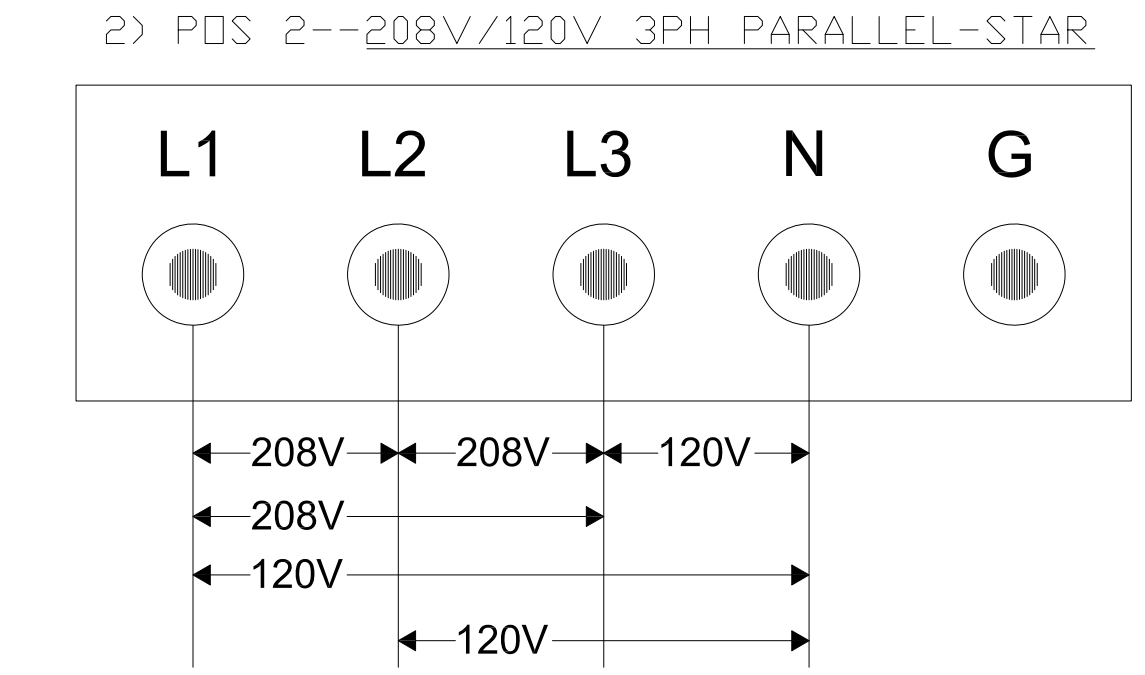
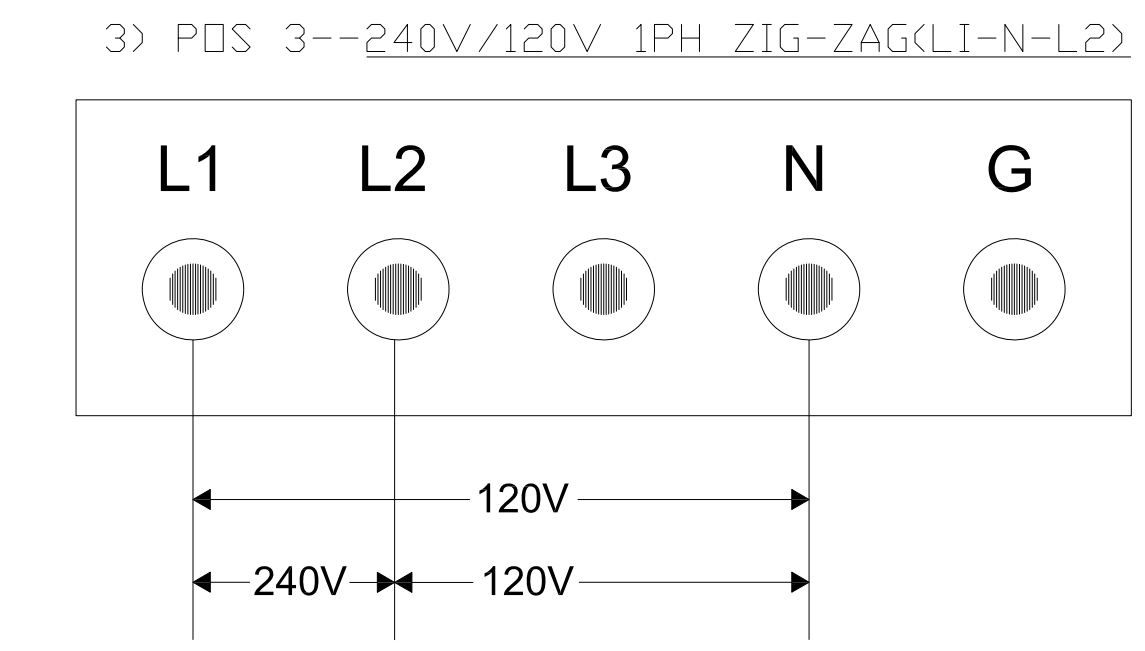
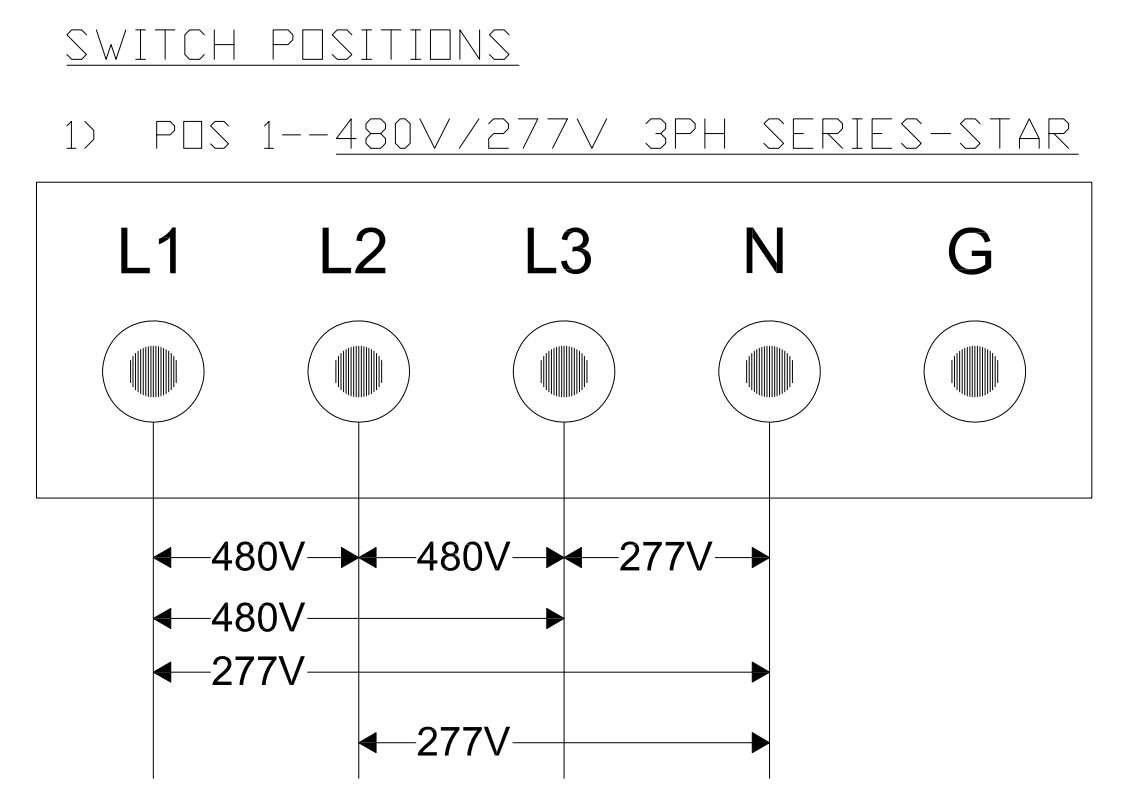
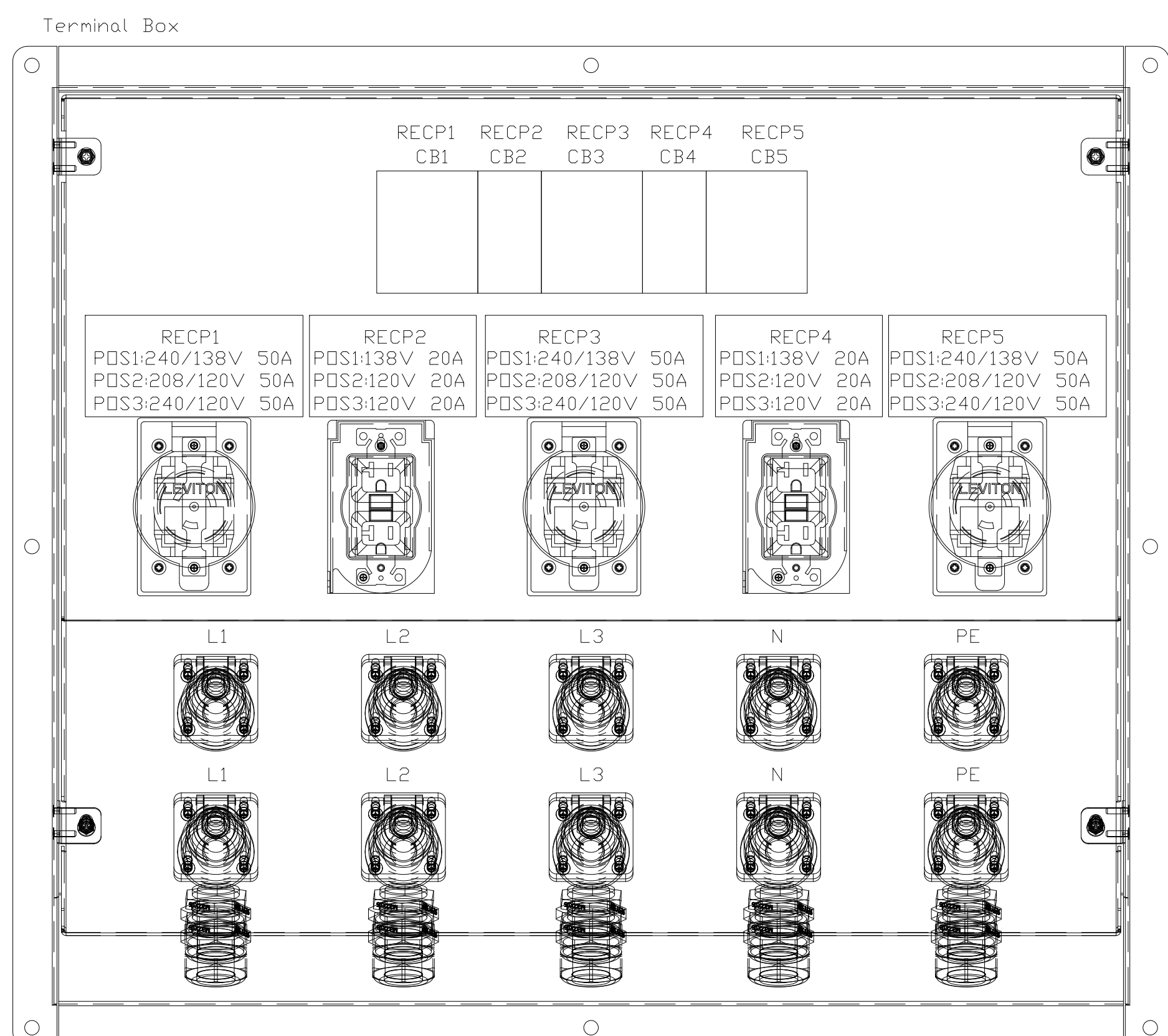
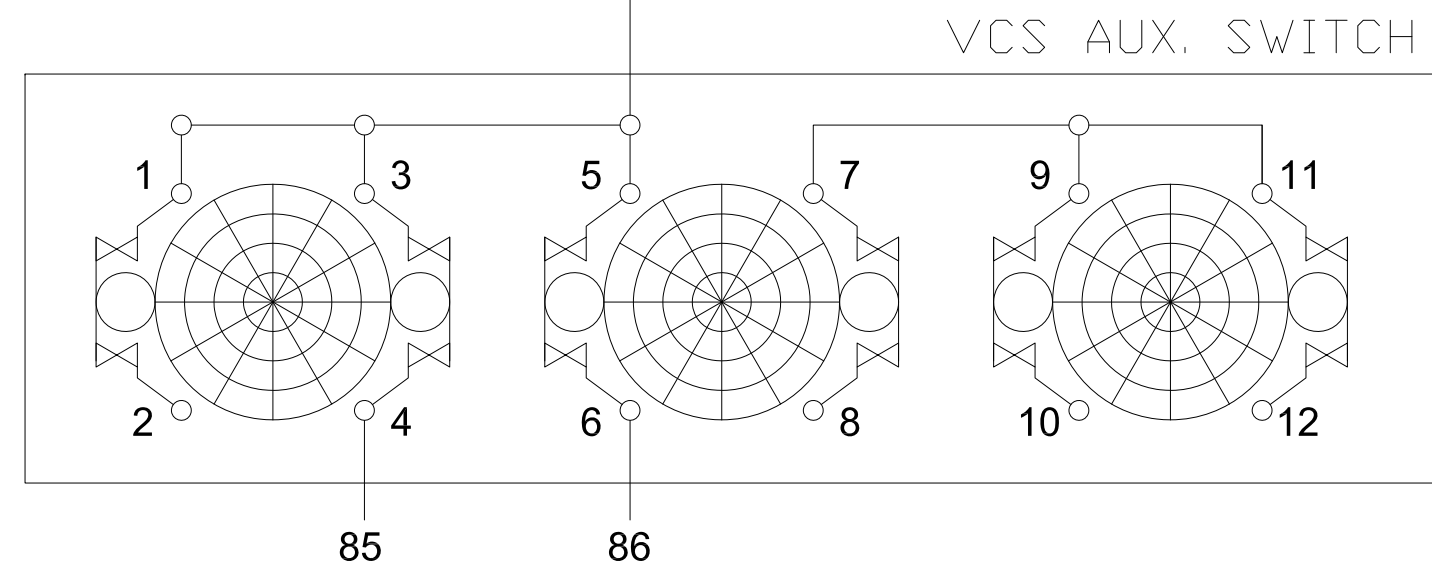
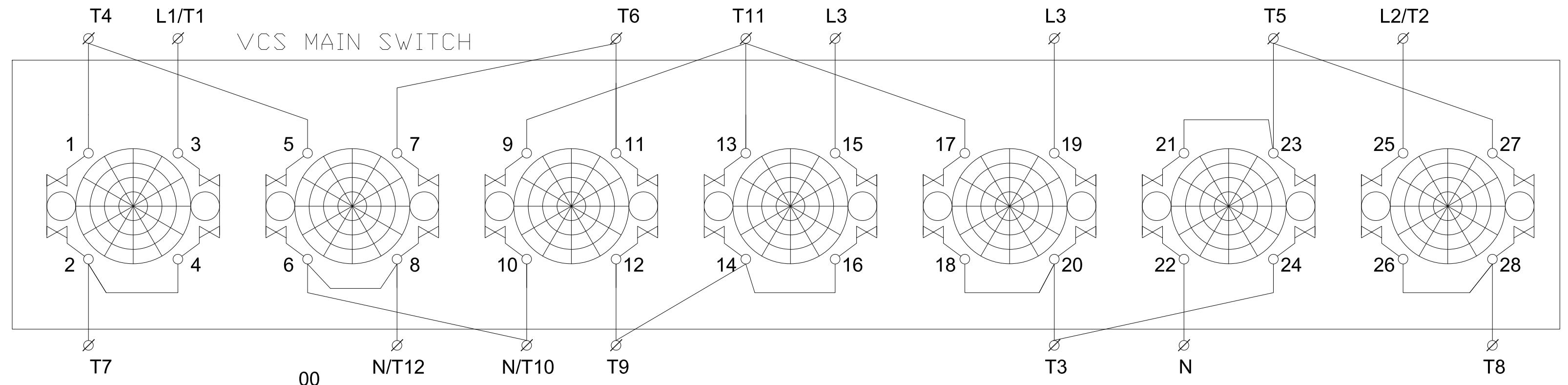
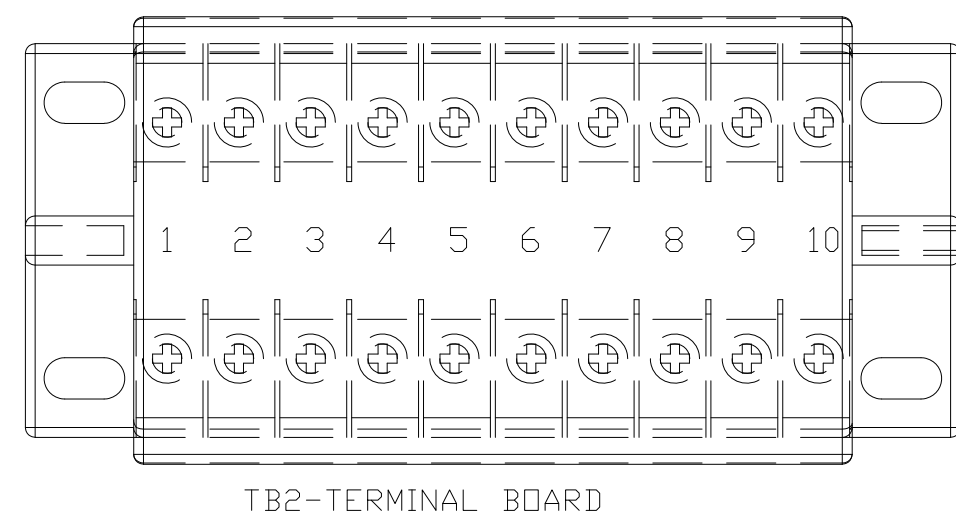
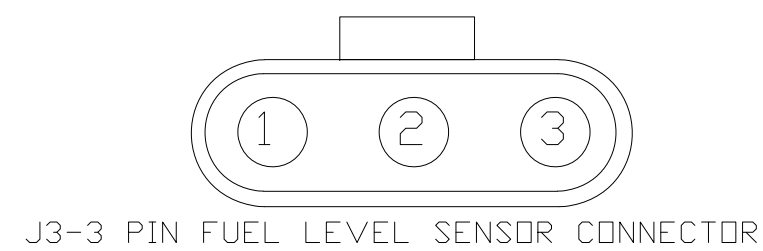
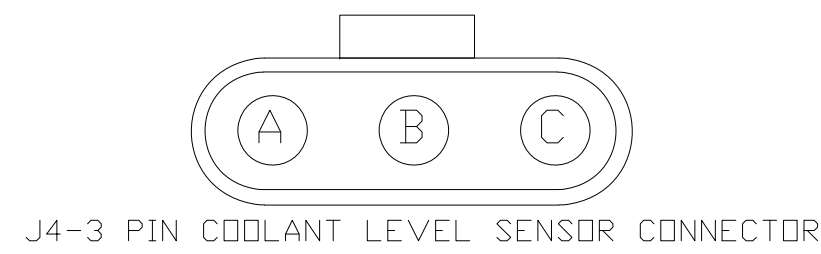
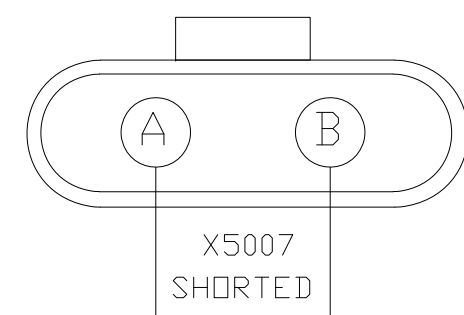
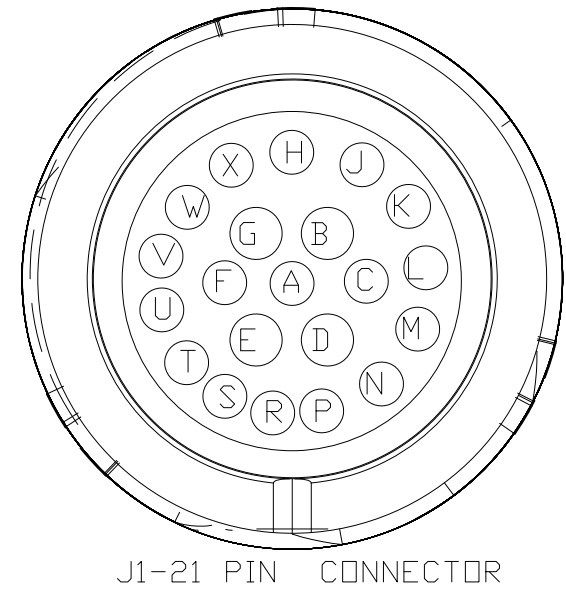


Control panel



ECU

X5021 CONTROL PANEL CONNECTOR	
WIRING NO.	TERMINAL NO.
00	E
04	B
38	D
09	J
37	G
72	V
73	U
SCR	F



SW1: DC POWER SWITCH
EMER: EMERGENCY STOP
ALT: ALTERNATOR
SM: START MOTOR
CB: CIRCUIT BREAKER
AVR: AUTOMATIC VOLTAGE REGULATOR
ATS: AUTOMATIC TRANSFER SWITCH

NOTICE:
(1)DEFAULT CONFIG.(MAIN CONFIG.):480V/277V 3PH;
(2)ALT. CONFIG1:208V/120V 3PH;
(3)ALT. CONFIG2:240V/120V 1PH;
(4)EX-FACTORY STATUS:208V/120V 3PH;

Item	Name	Date	Item	Name	Date
Designer	3093	2022-5-10	Checked	0757	
Proofread	1278		Approved	0746	
Drq.No	1000033355A180JS		Sheet	2/2	Edition 3.0

