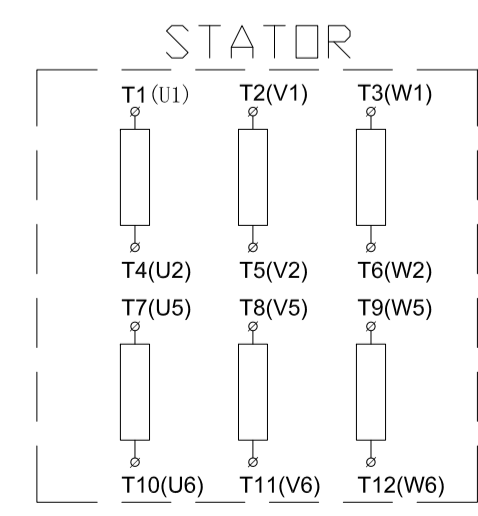
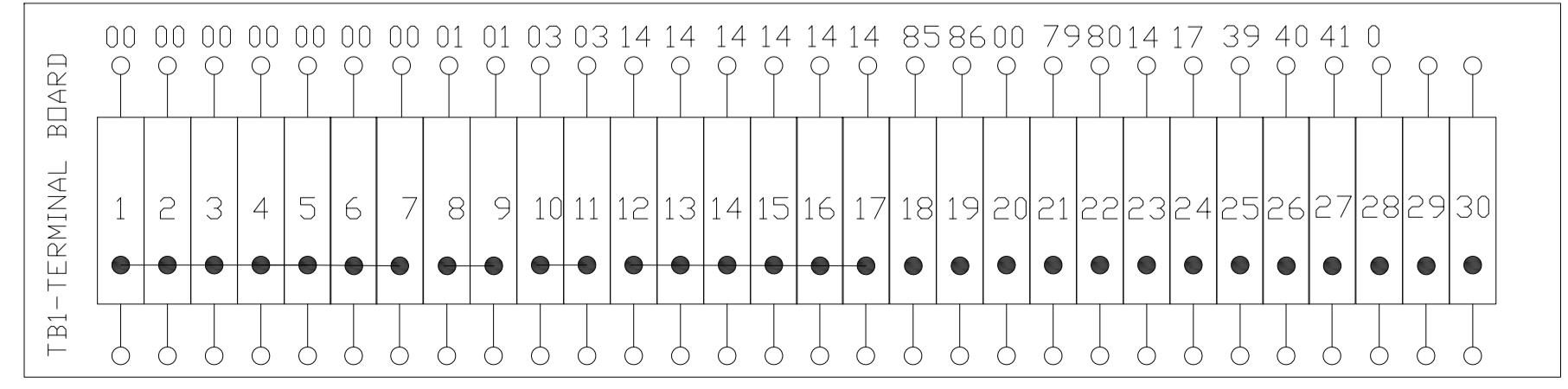


GEN-SET MODEL : A125JS  
 ENGINE MODEL : 4045HFG09  
 CONTROLLER MODEL: DSE-7420MKII  
 VOLTAGE: 208V 3P  
 FERQUENCY: 60 Hz  
 FULL LOAD CURRENT: 347\_A



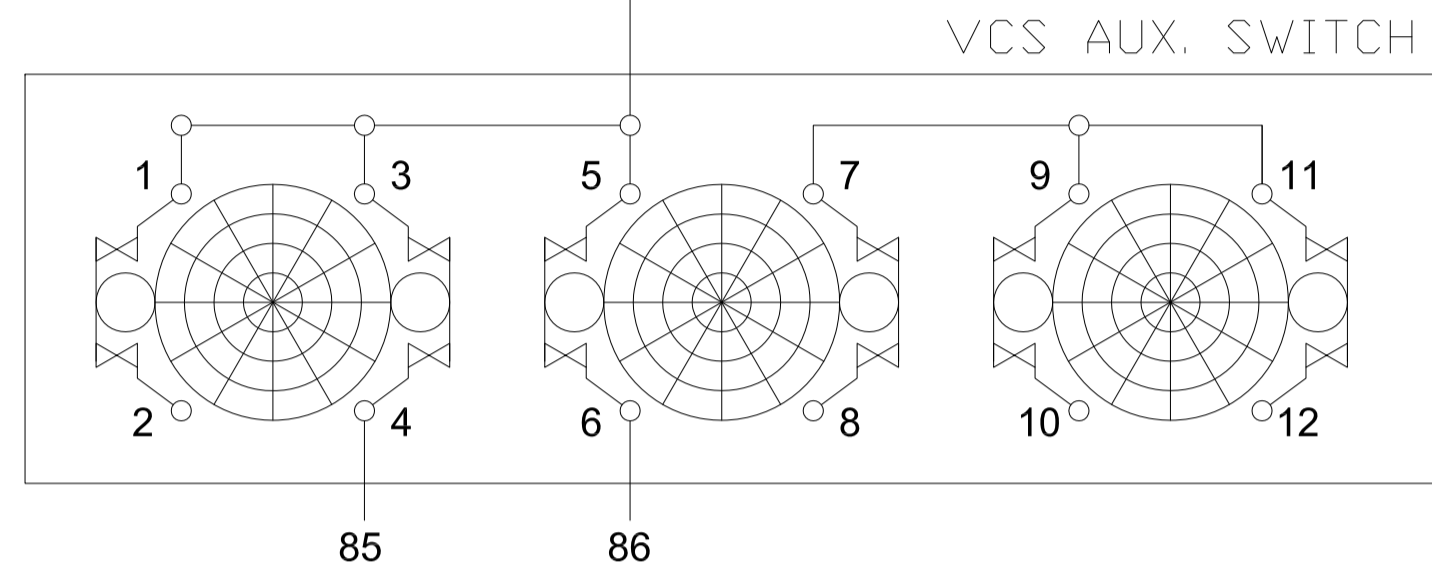
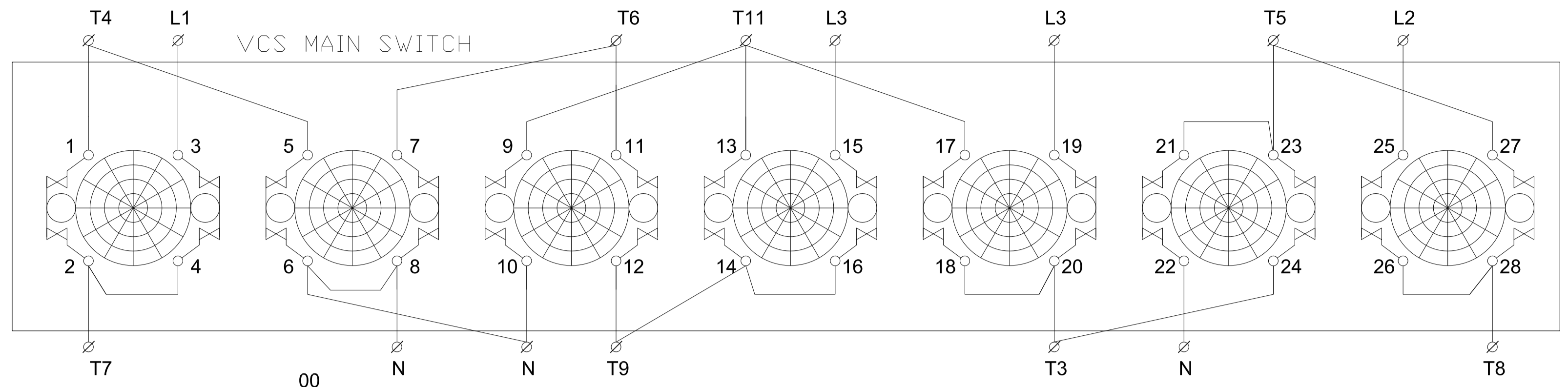
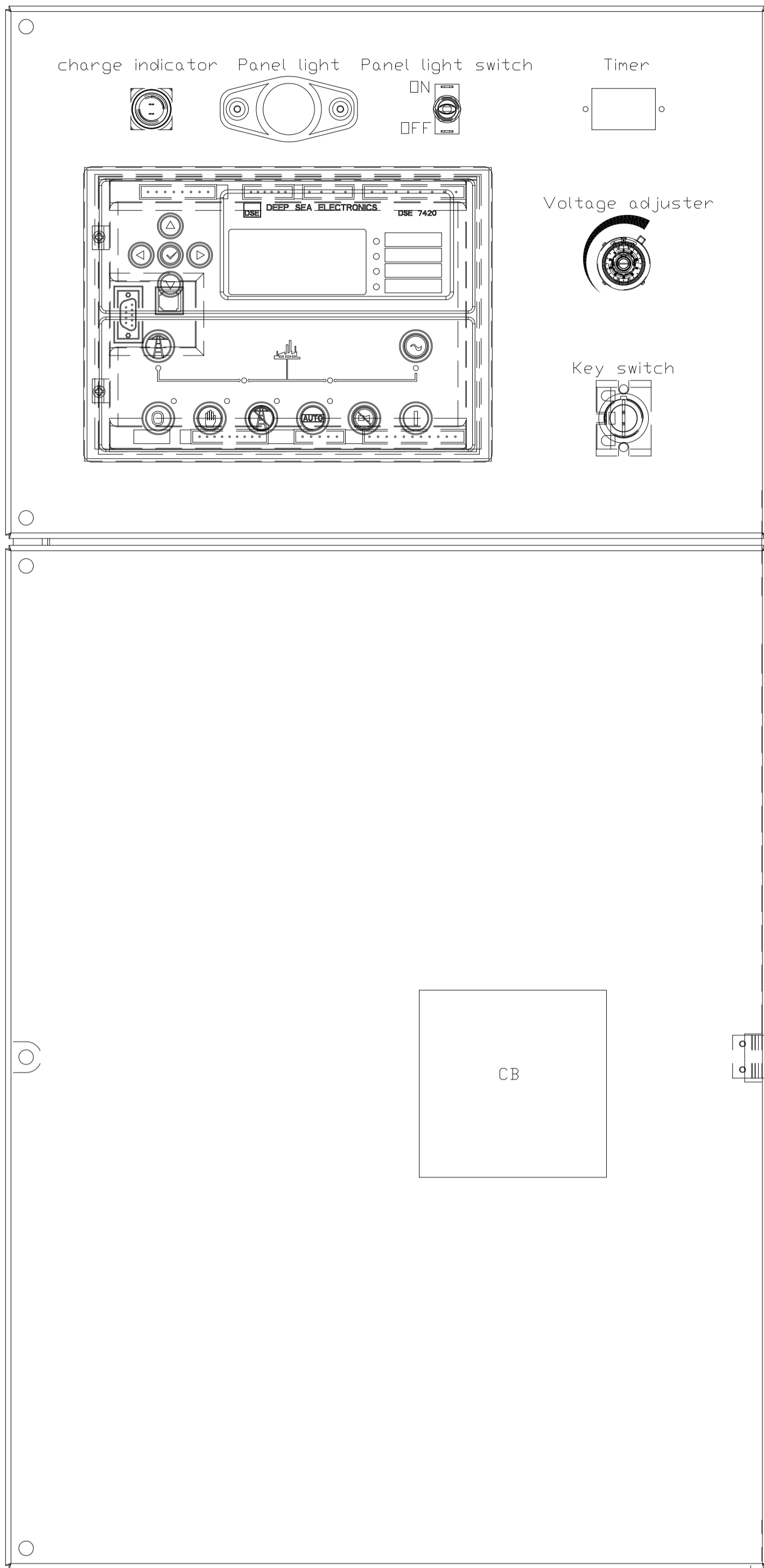
SW1: DC POWER SWITCH  
 EMER: EMERGENCY STOP  
 ALT: ALTERNATOR  
 SM: START MOTOR  
 CB: CIRCUIT BREAKER  
 AVR: AUTOMATIC VOLTAGE REGULATOR  
 ATS: AUTOMATIC TRANSFER SWITCH

NOTICE1:  
 (1)DEFAULT CONFIG.(MAIN CONFIG.)>480V/277V 3PH;  
 (2)ALT. CONFIG1:208V/120V 3PH;  
 (3)ALT. CONFIG2:240V/120V 1PH;  
 (4)EX-FACTORY STATUS:208V/120V 3PH;

Item	Name	Date	Item	Name	Date
Designer	3093	2020-9-8	Checked	0757	
Proofread	1278		Approved	0746	
Drq.No	1000033354A125JS		Sheet	1/2	Edition 1.0

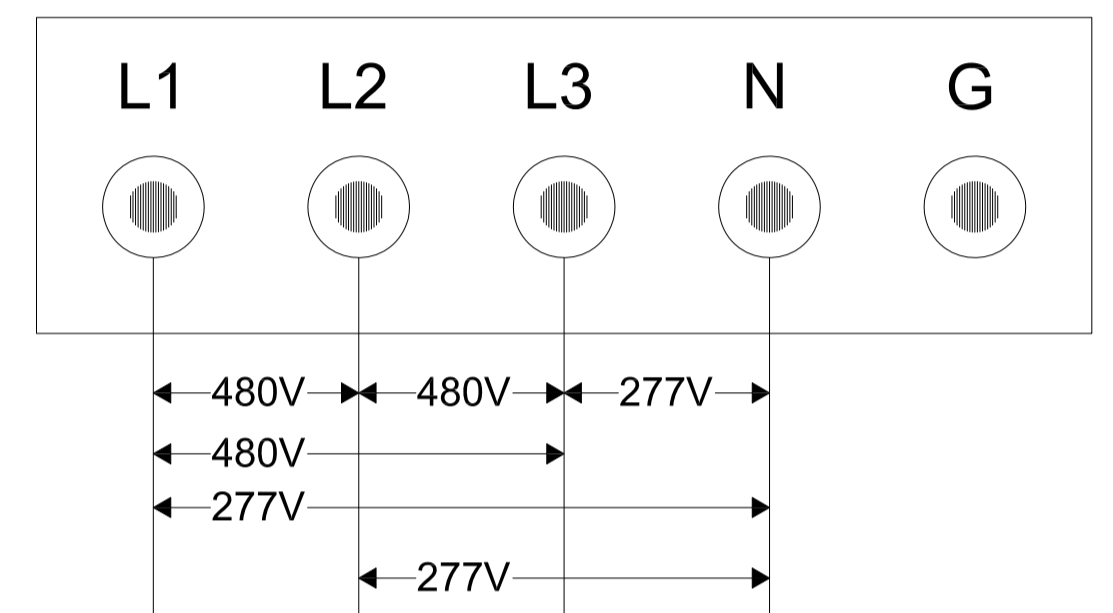


Control panel

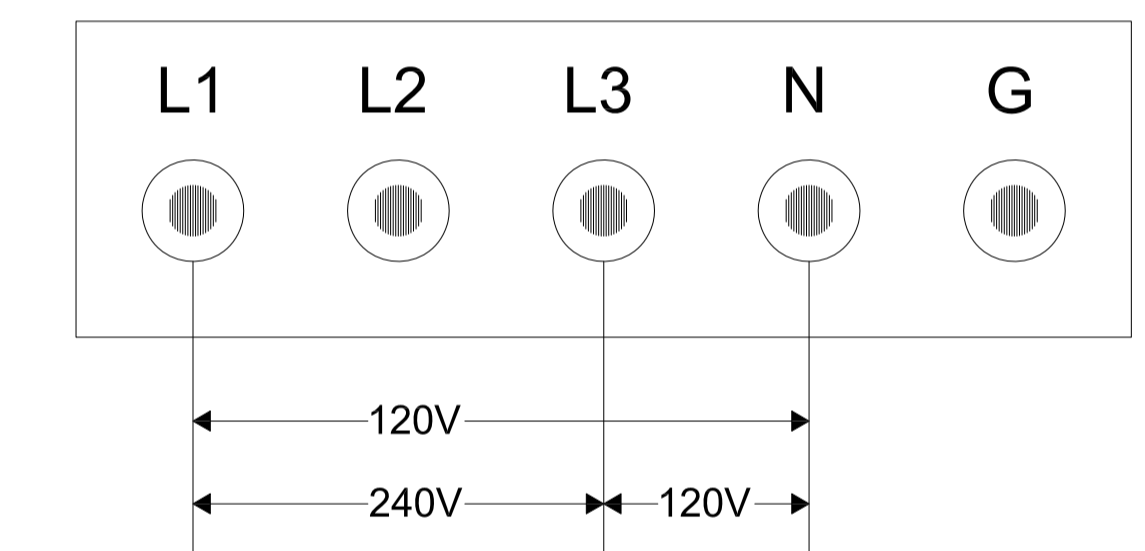


SWITCH POSITIONS

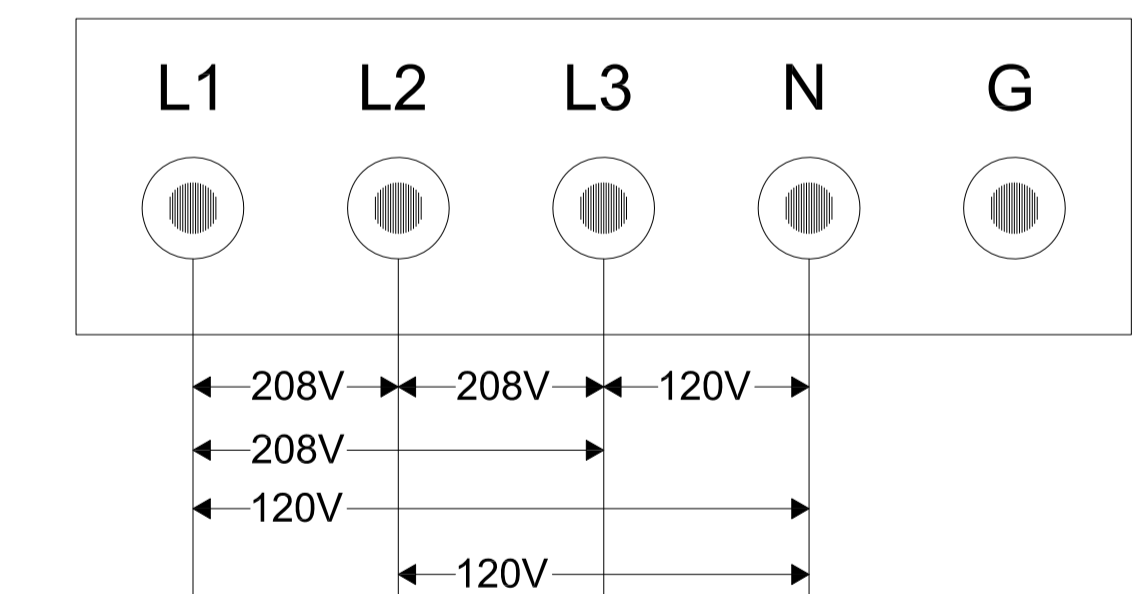
1) PDS 1--480V/277V 3PH SERIES-STAR



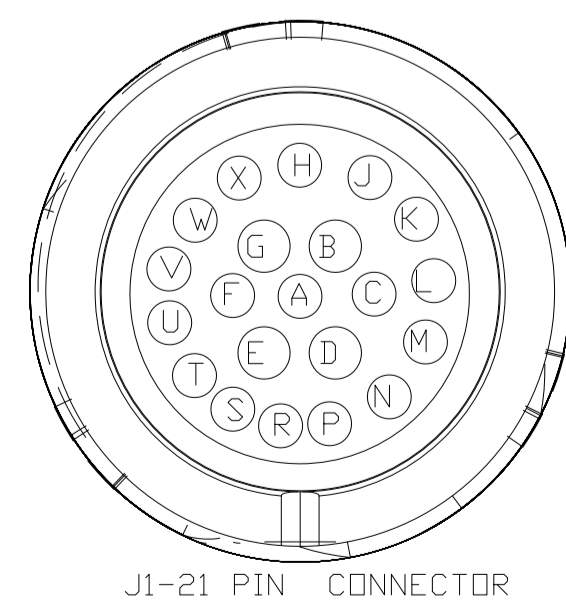
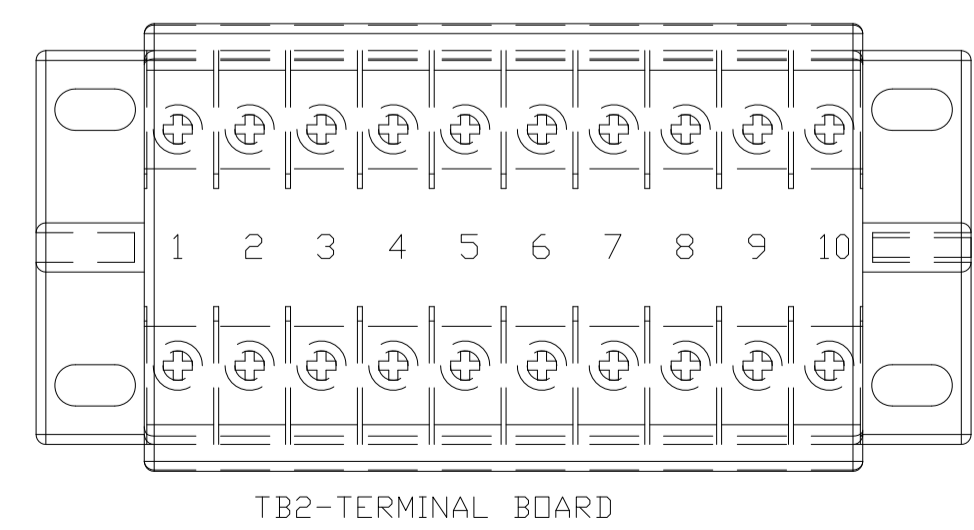
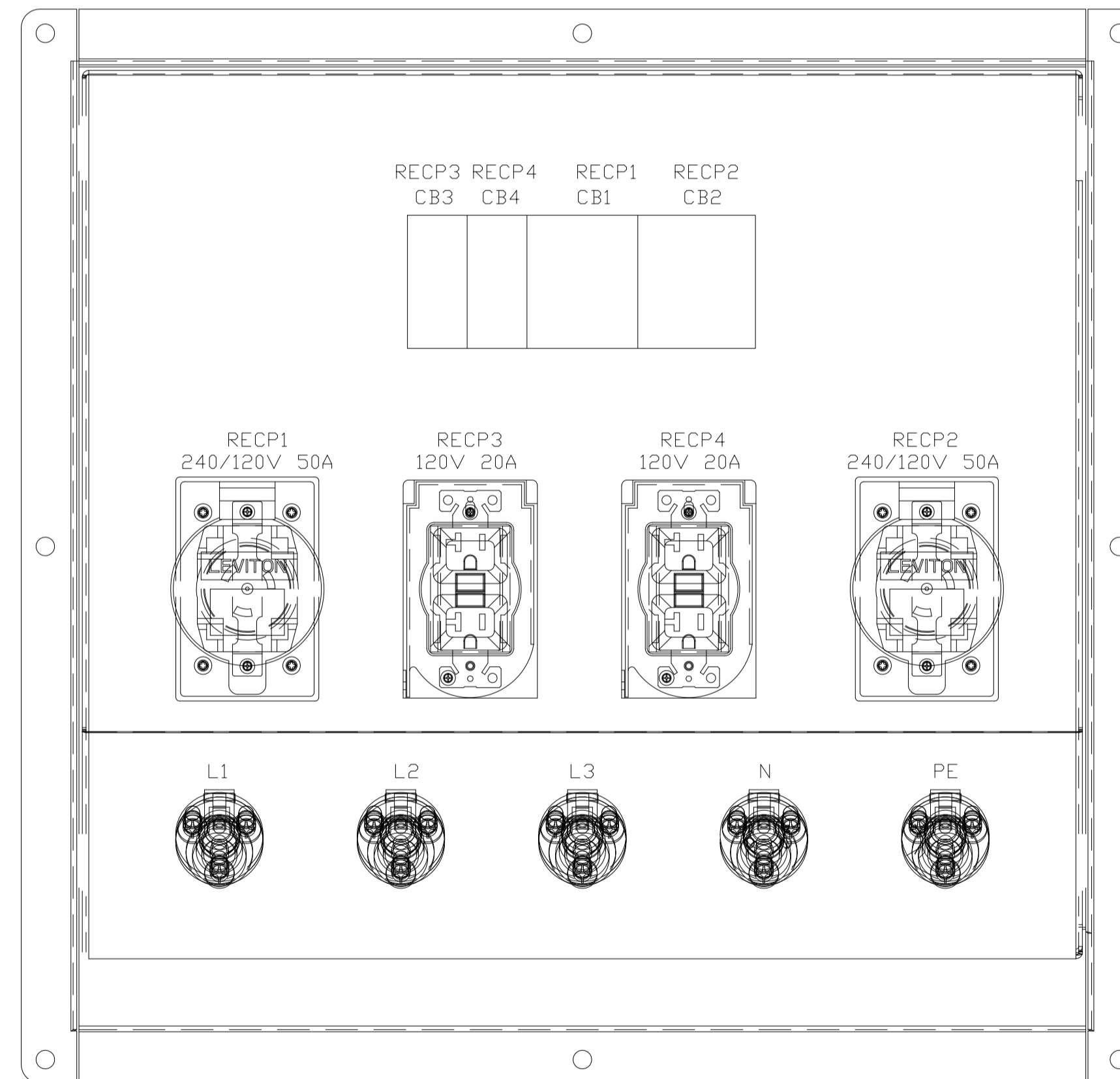
3) PDS 3--240V/120V 1PH ZIG-ZAG(LI-N-L2)



2) PDS 2--208V/120V 3PH PARALLEL-STAR

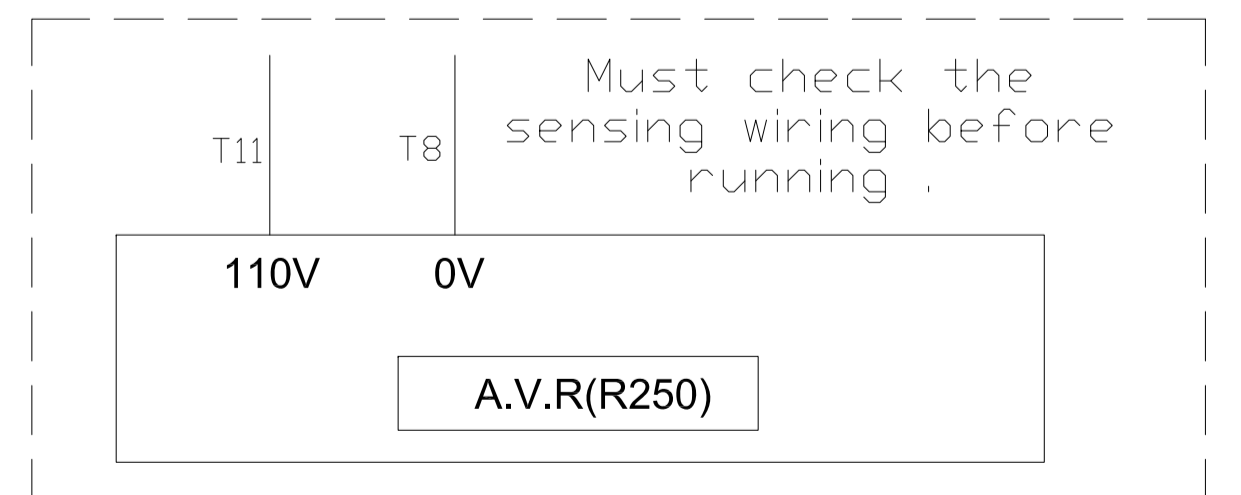
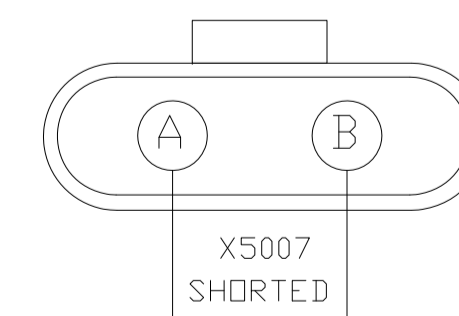
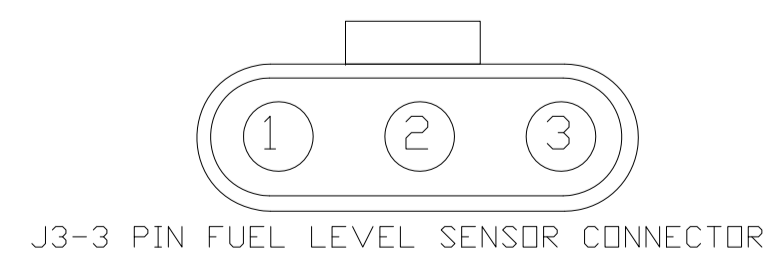
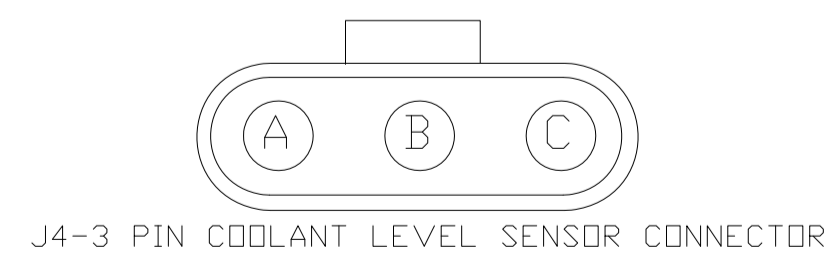


Terminal Box



ECU

X5021 CONTROL PANEL CONNECTOR	
WIRING NO.	TERMINAL NO.
00	E
04	B
38	D
09	J
37	G
72	V
73	U
SCR	F



Item	Name	Date	Item	Name	Date
Designer	3093	2020-9-8	Checked	0757	
Proofread	1278		Approved	0746	
Drq.No	1000033354A125JS		Sheet	2/2	Edition 1.0

