

DEMONSTRATIONS L*W*H (mm)	FUEL TANK CAPACITY (L)	DRY WEIGHT (kg)
3160x1172x1977	680	2507.03

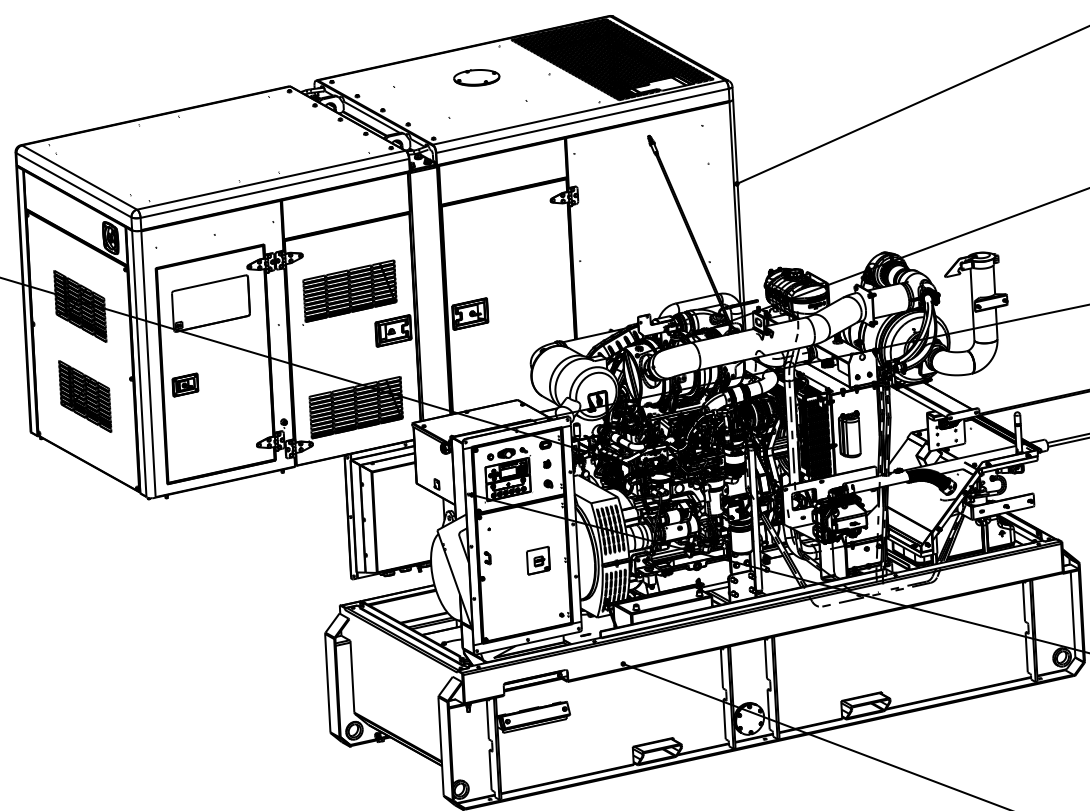
POWERINK
POWER SYSTEMS

/Appellation	Sound-proof type generator set	Edition:	FIRST ANGLE PROJECTION
/Drg.No.	1000033354	C	
Designer: 2018	Collate: 0726	Auditing: 0726	
Material		/Weight(Kg):2507.03	/Scale: 1:40
Technics:	Standardization:	Authorize: 0726	/Sheet: 1/2

8 7 6 5 4 3 2 1

D
C
B
A

机匣线束总成
1000379545 X 1



箱体总成
1000442452 X 1

动力包总成
1000438626 X 1

控制开关箱总成
1000379940 X 1

后处理组件
1000513862 X 1

美式组合插座总成
1000379935 X 1

底座总成
1000442453 X 1



/Appellation	静音型柴油发电机组	Edition:	FIRST ANGLE PROJECTION
/Drg.No.	1000033354	C	
Designer: 2018	Collate: 0726	Auditing: 0726	
Material			/Weight(Kg):2507.03
			/Date:2020-08-28
Technics:	Standardization:	Authorize: 0726	/Sheet: 2/2

8 7 6 5 4 3 2 1