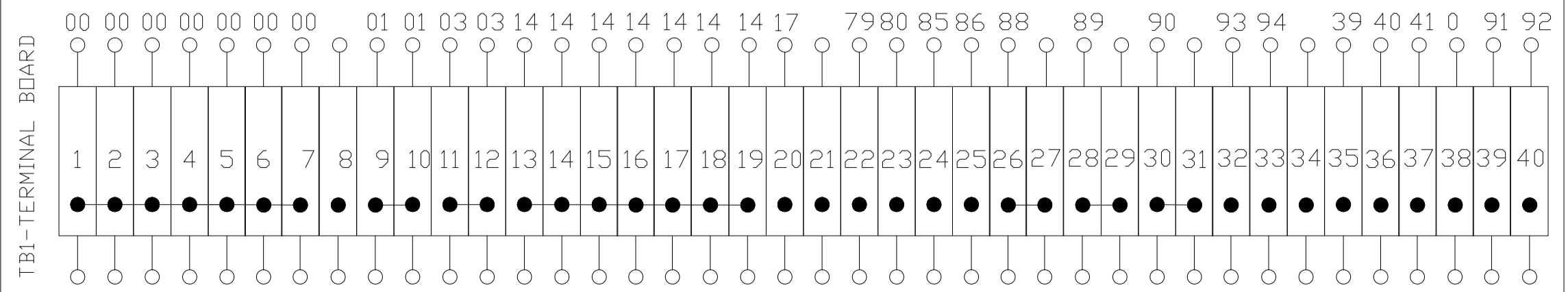
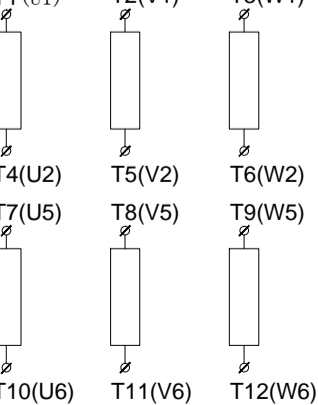


GEN-SET MODEL : A80JS  
 ENGINE MODEL : 4045HF04  
 CONTROLLER MODEL : DSE-7420MKII  
 VOLTAGE: 480, 208V 3P, 240V 1P  
 FERQUENCY: 60 Hz  
 FULL LOAD CURRENT: 106, 224, 224 A



STATOR

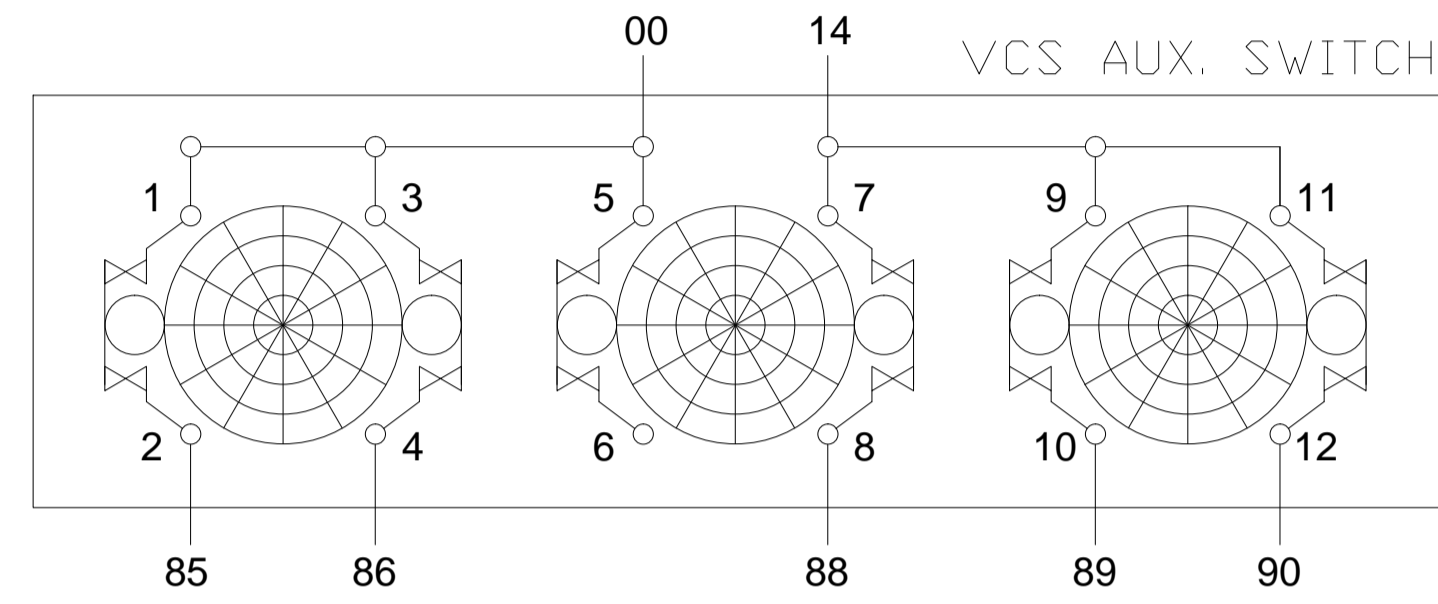
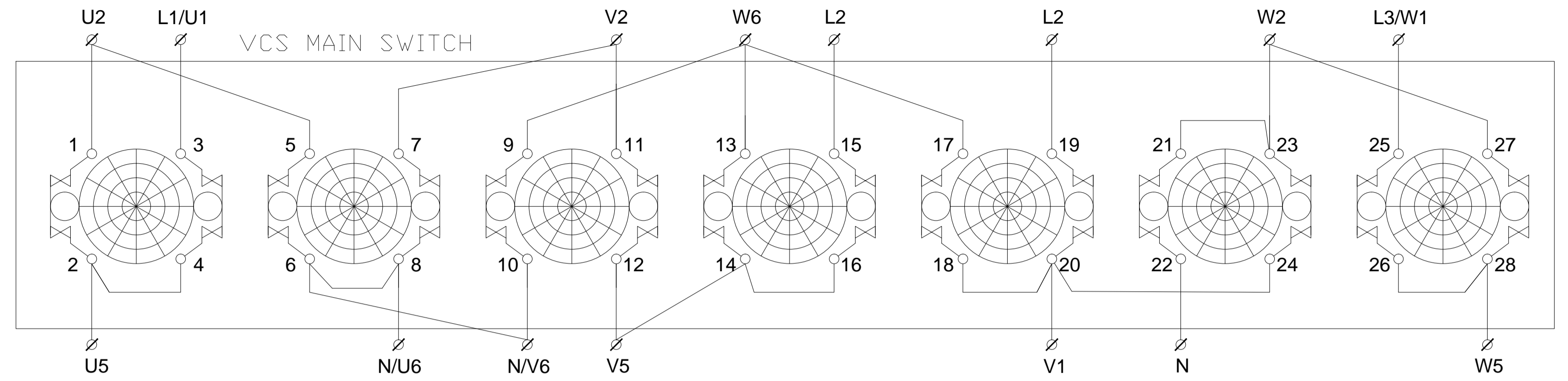
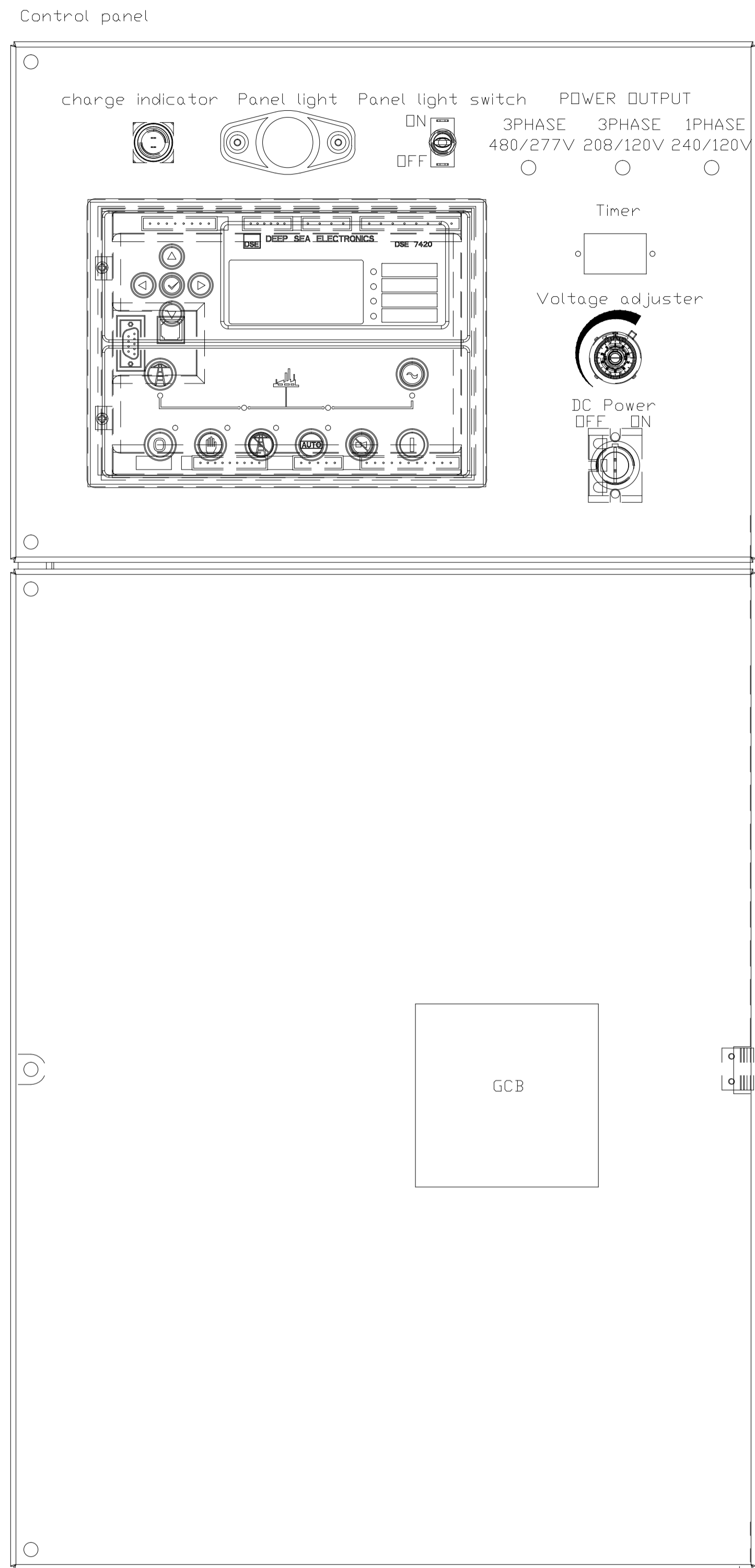


SW1: DC POWER SWITCH  
 EMER.: EMERGENCY STOP  
 ALT: ALTERNATOR  
 SM: START MOTOR  
 ELR: EARTH LEAKAGE RELAY  
 CB: CIRCUIT BREAKER  
 AVR: AUTOMATIC VOLTAGE REGULATOR  
 ATS: AUTOMATIC TRANSFER SWITCH

NOTICE1:  
 (1)DEFAULT CONFIG<MAIN CONFIG>:480V/277V 3PH;  
 (2)ALT. CONFIG1:208V/120V 3PH;  
 (3)ALT. CONFIG2:240V/120V 1PH;  
 (4)EX-FACTORY STATUS:208V/120V 3PH;

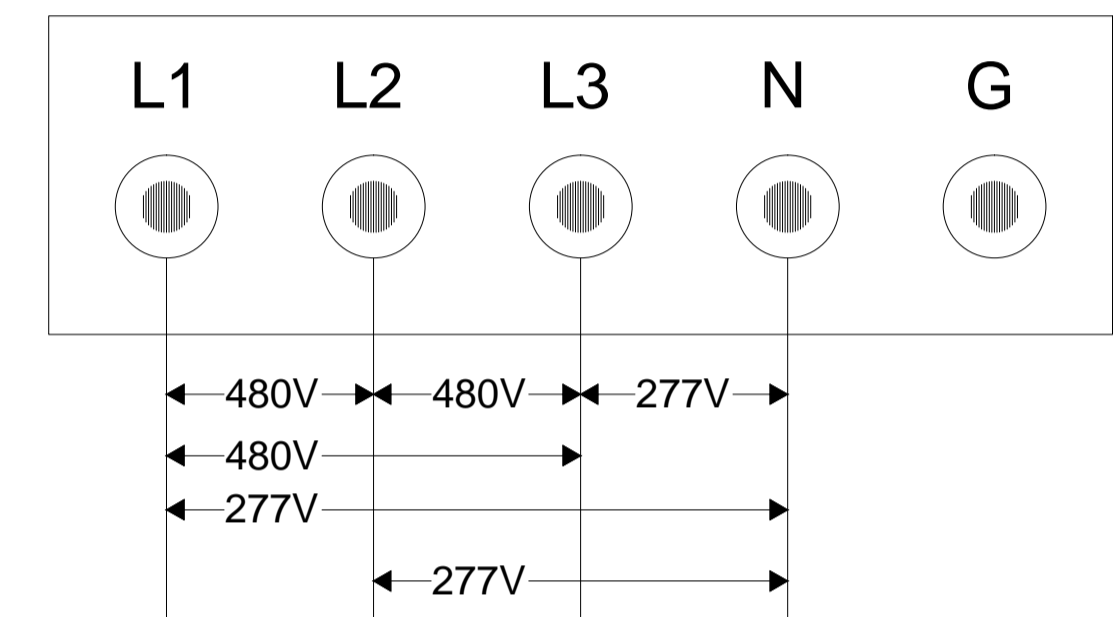
Item	Name	Date	Item	Name	Date
Designer	3288	2023-7-20	Checked	0757	
Proofread	1278		Approved	0746	
Drq.No	1000034656A80JS	Sheet	1/2	Edition	1.0



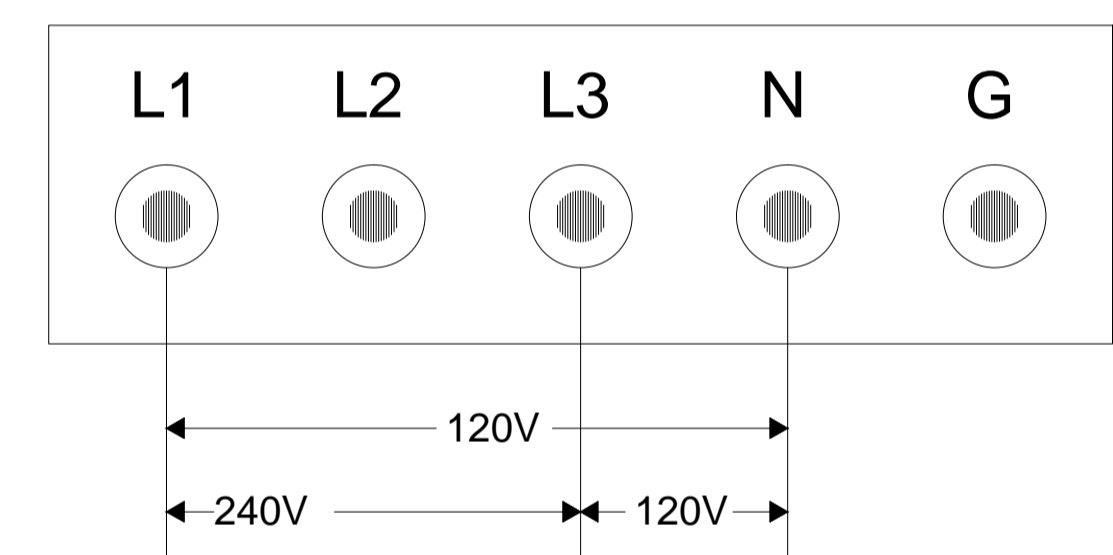


SWITCH POSITIONS

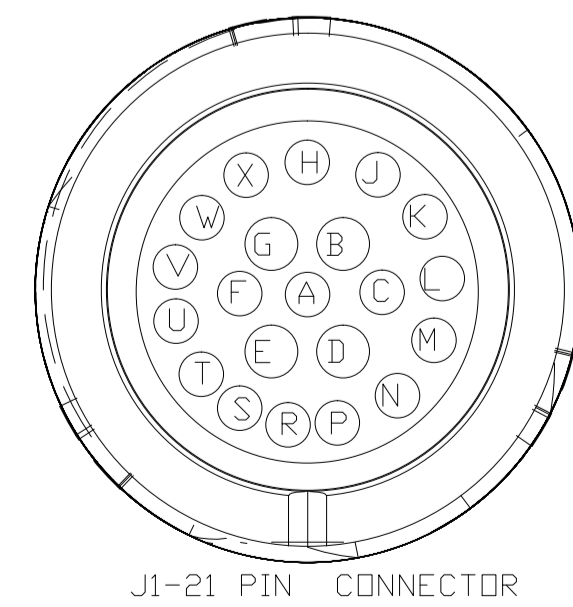
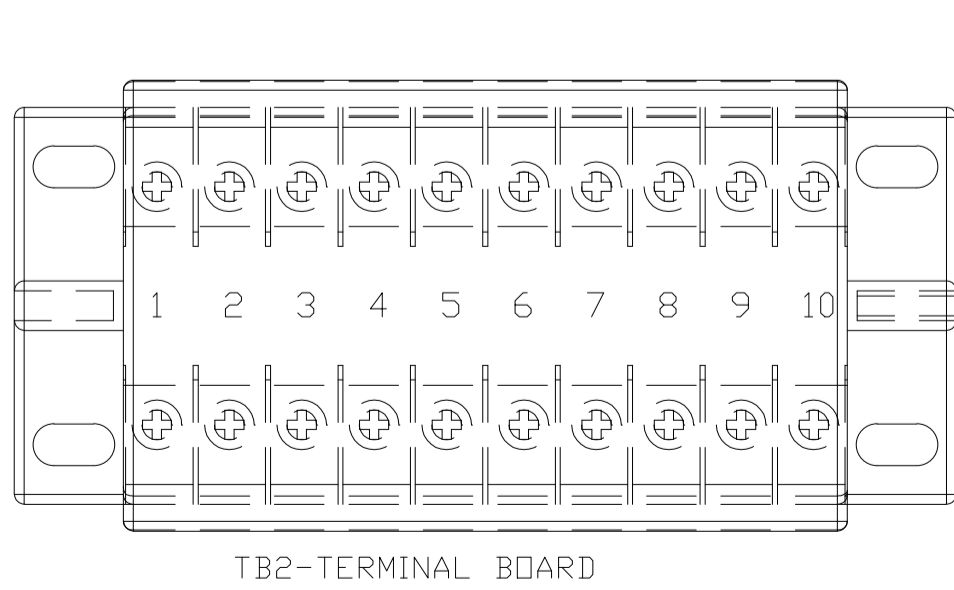
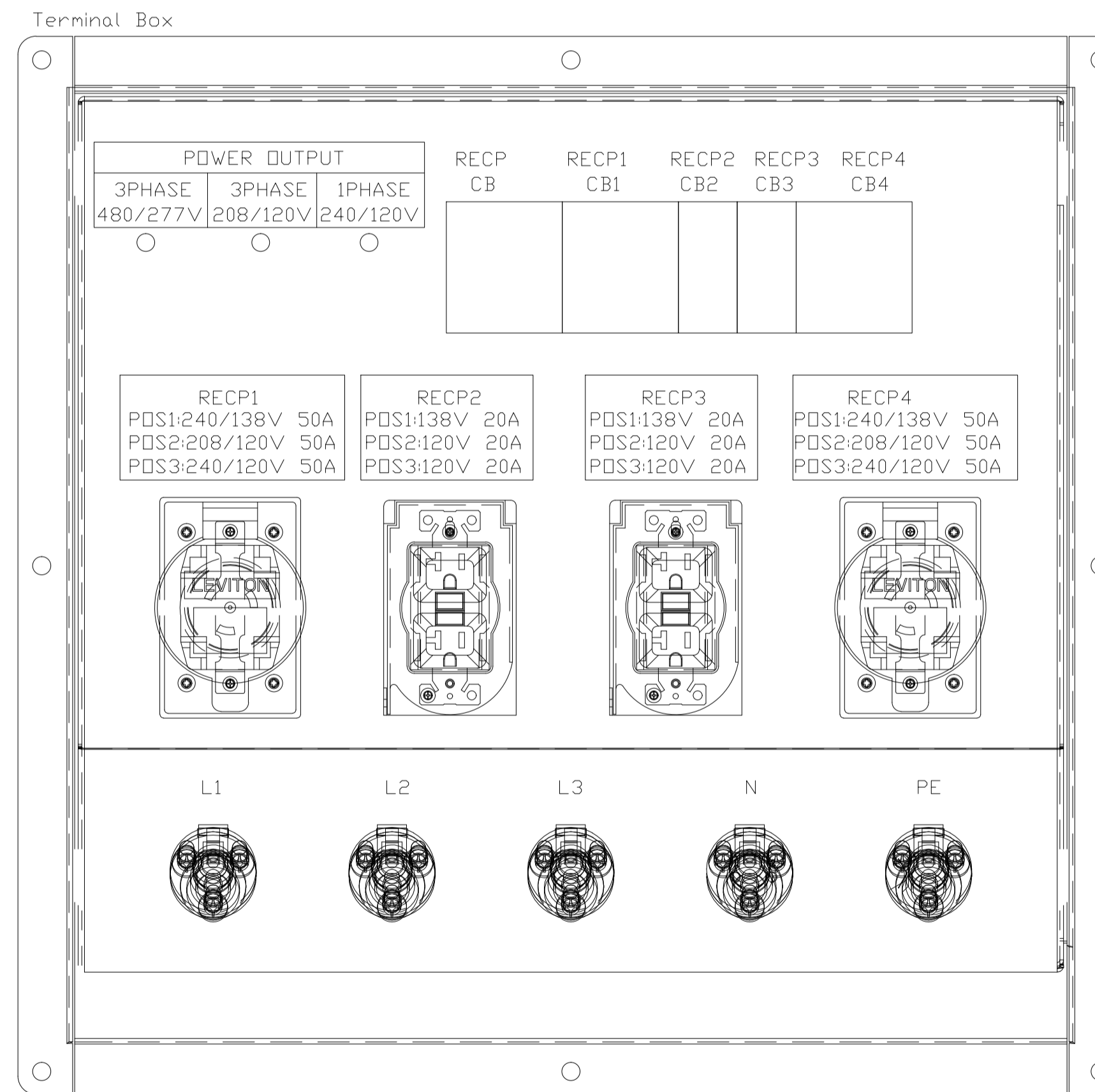
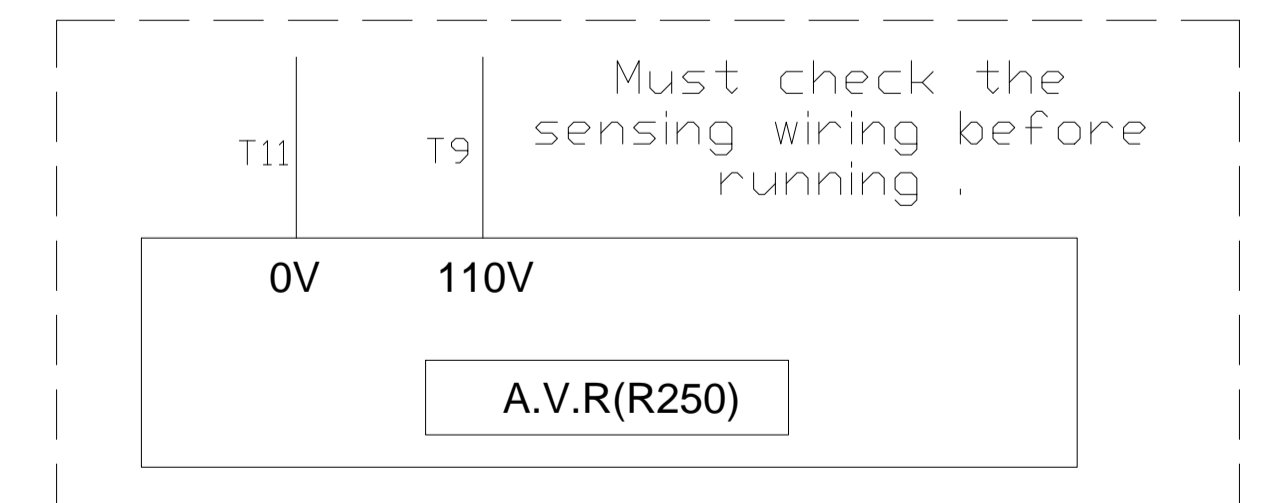
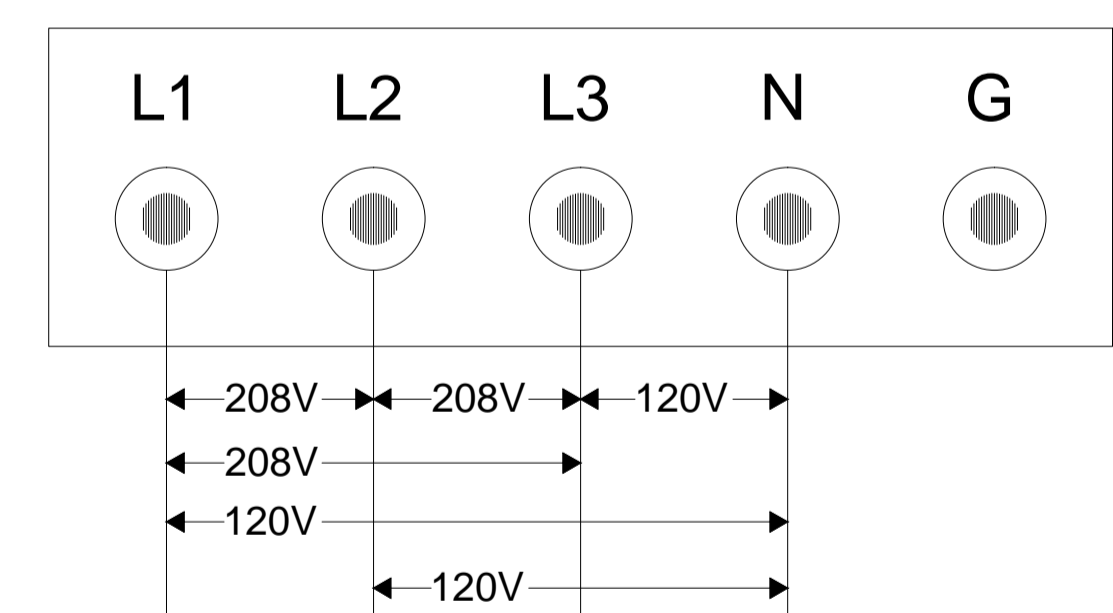
1) PDS 1--480V/277V 3PH SERIES-STAR



3) PDS 3--240V/120V 1PH ZIG-ZAG(L1-N-L3)

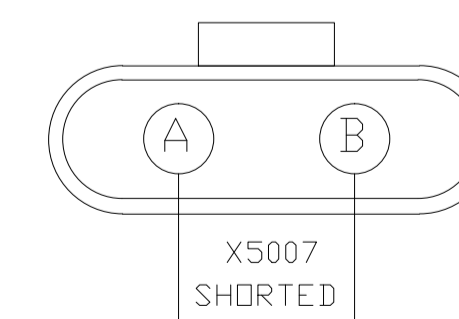
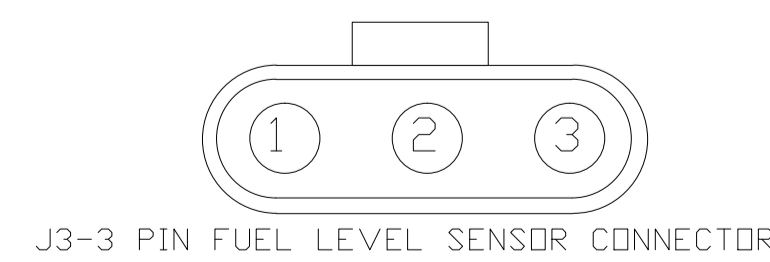
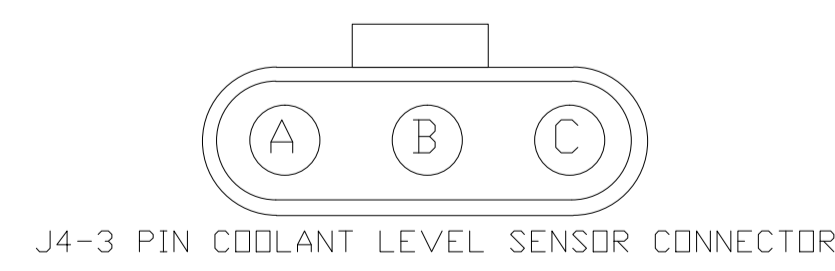


2) PDS 2--208V/120V 3PH PARALLEL-STAR



ECU

WIRING NO.	TERMINAL NO.
00	E
04	B
38	D
09	J
37	G
72	V
73	U
SCR	F



Item	Name	Date	Item	Name	Date
Designer	3288	2023-7-20	Checked	0757	
Proofread	1278		Approved	0746	
Drq.No	1000034656A80JS		Sheet	2/2	Edition 1.0