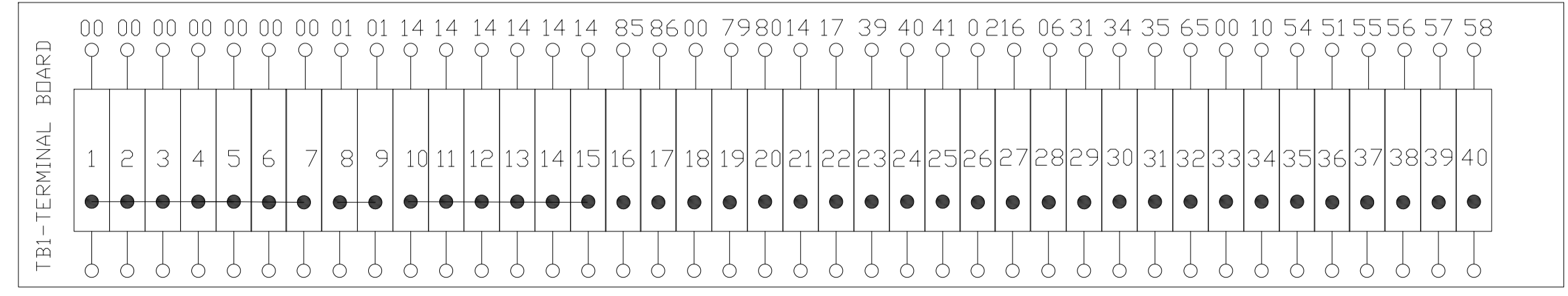


GEN-SET MODEL : A25KS
 ENGINE MODEL : V1803-CR-T1E4BG
 CONTROLLER MODEL: DSE-7420MKII
 VOLTAGE: 208V 3P
 FERQUENCY: 60 Hz
 FULL LOAD CURRENT: 70 A

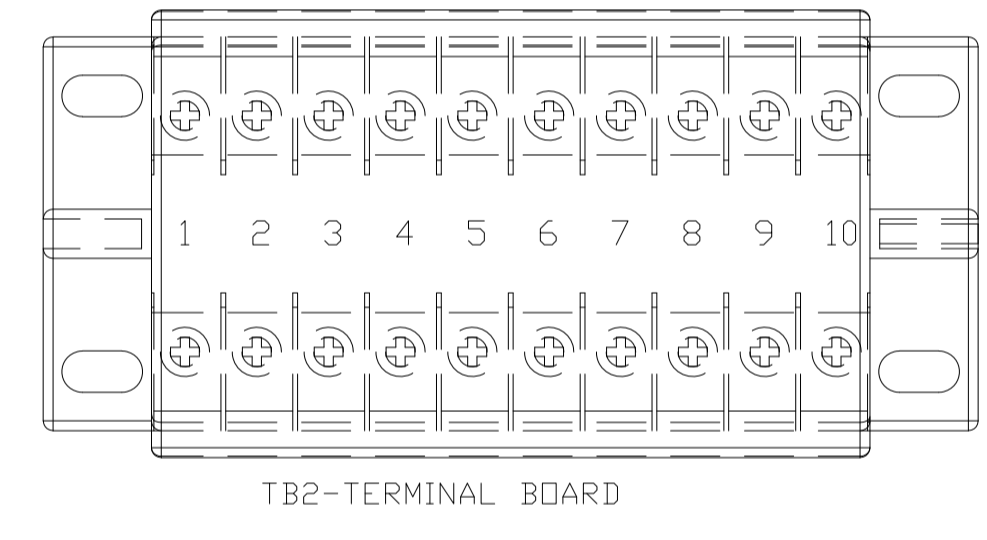
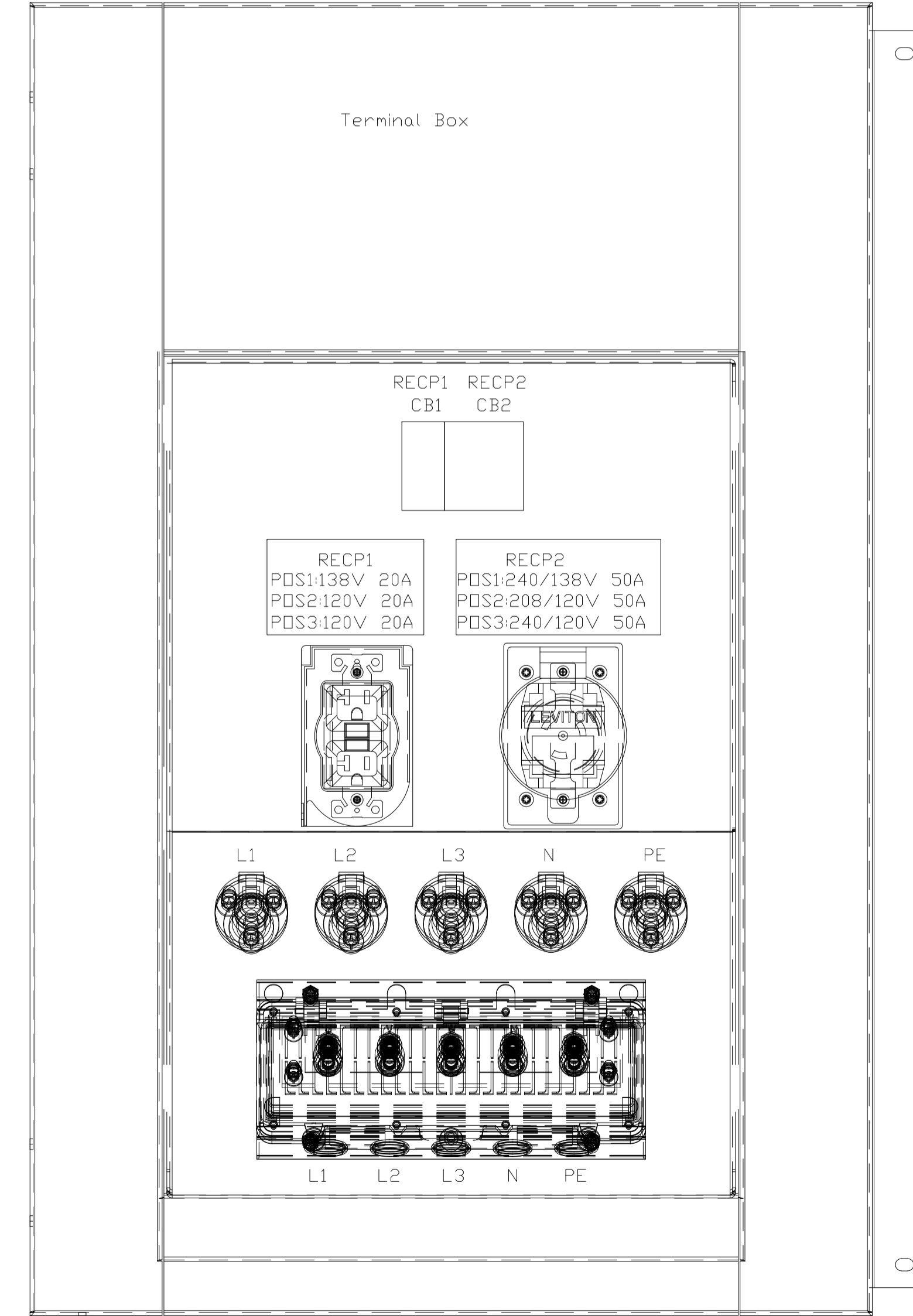
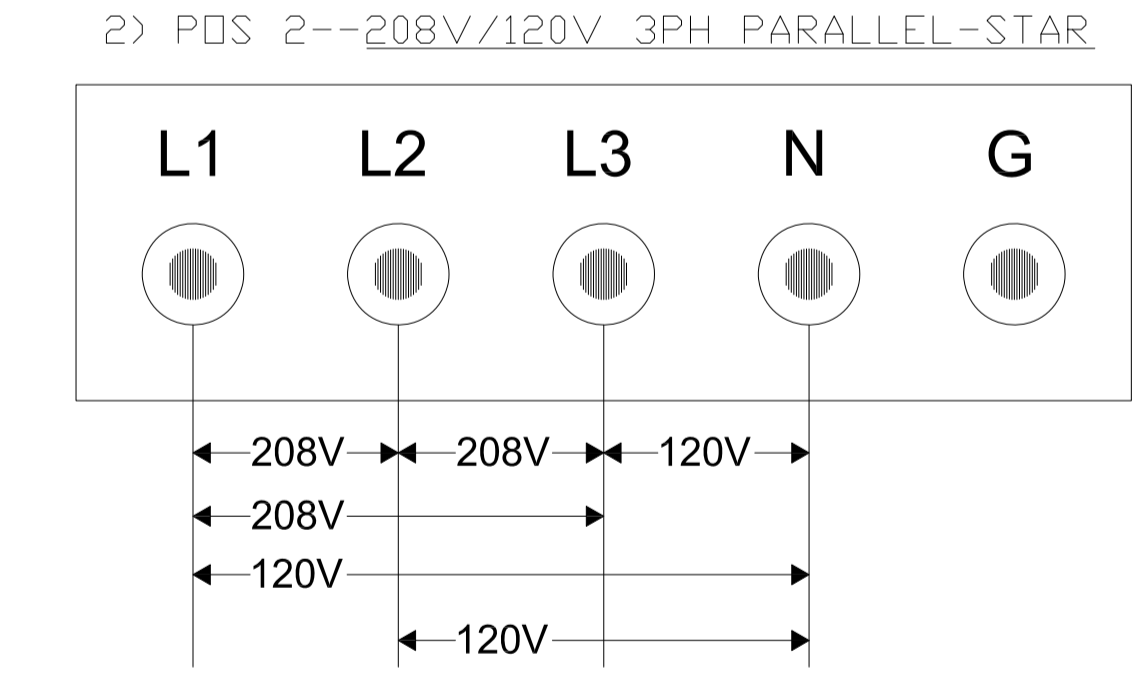
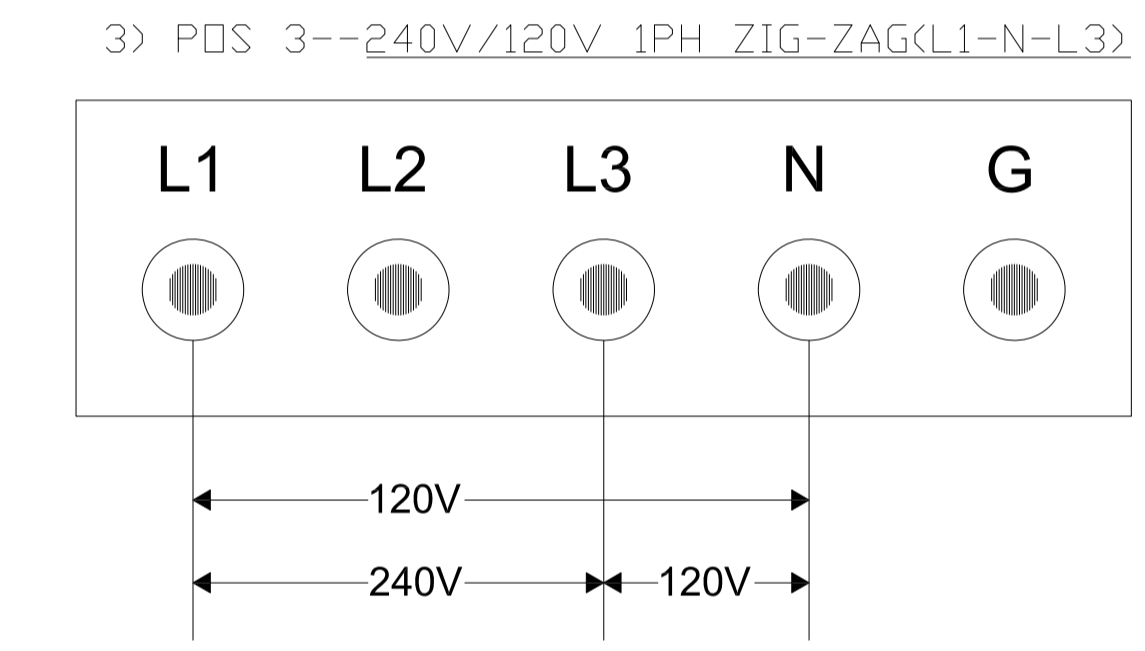
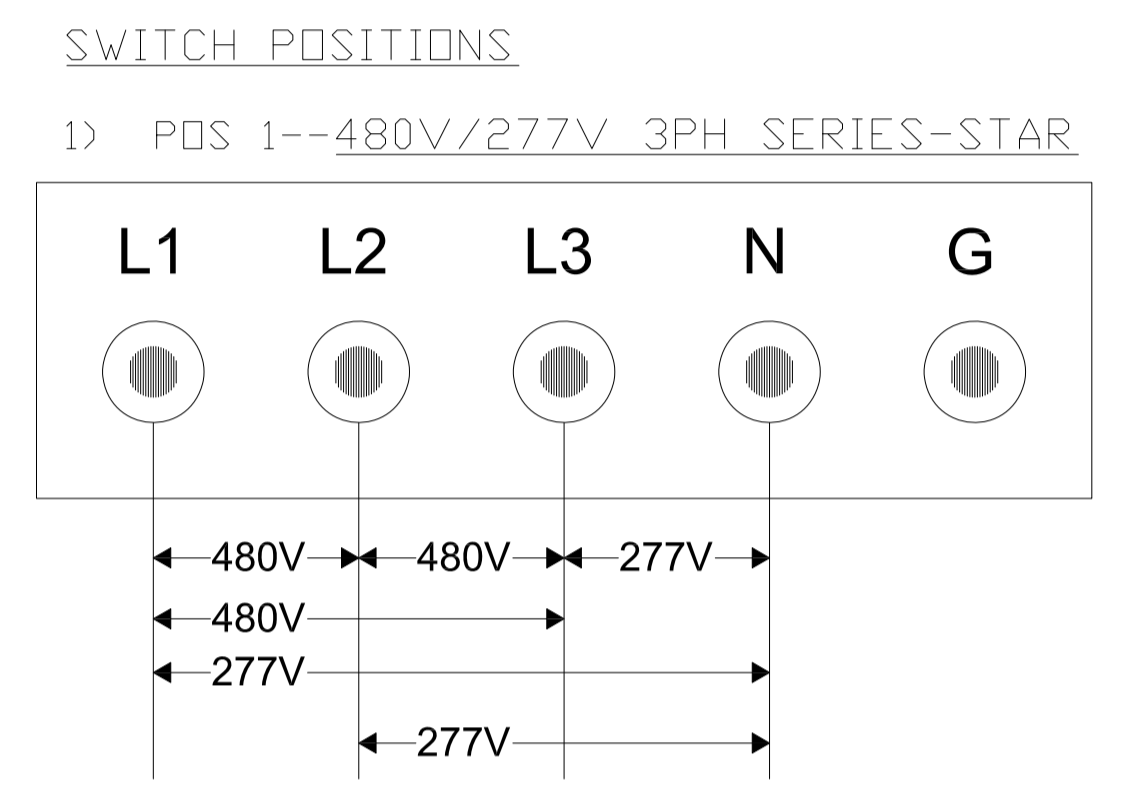
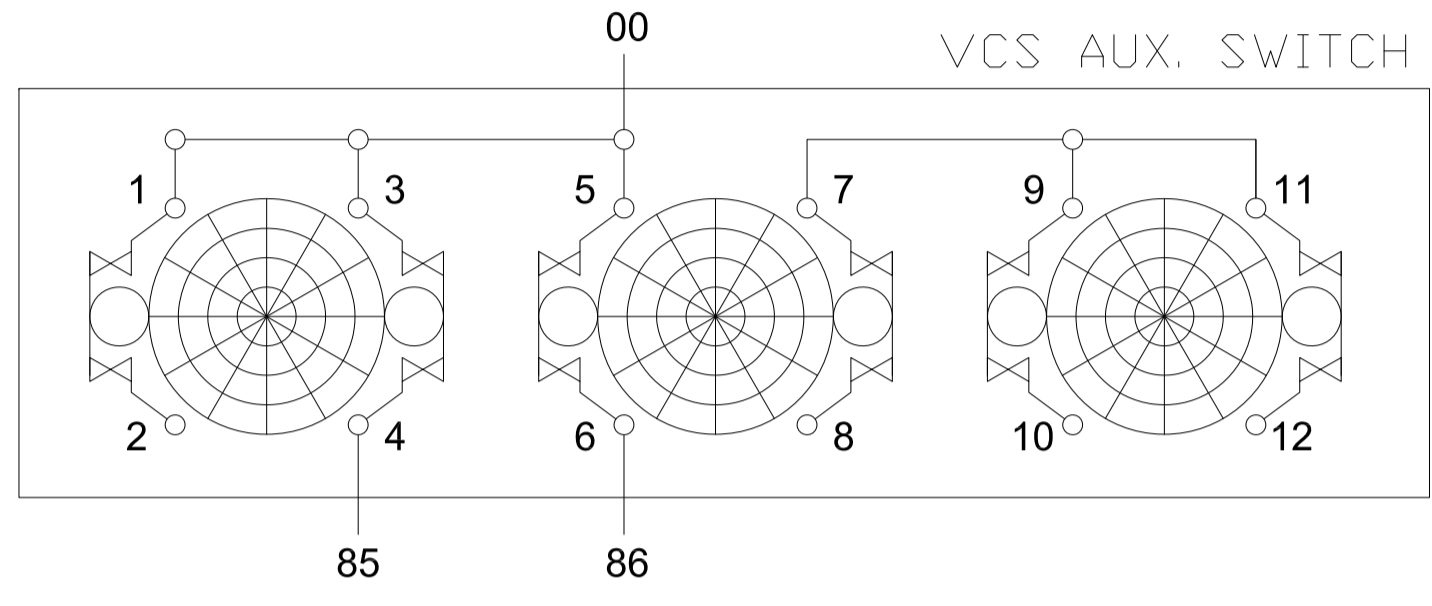
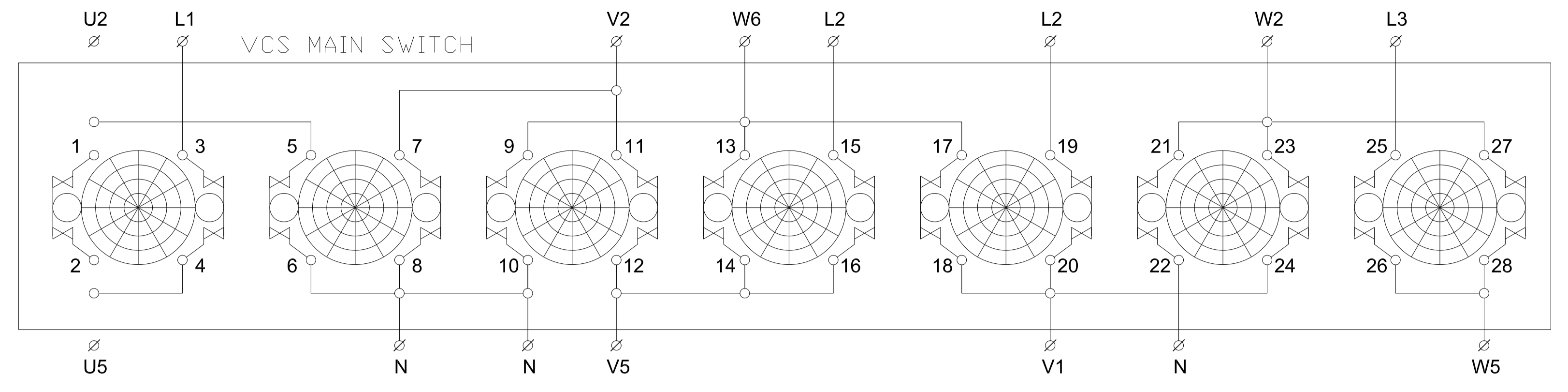
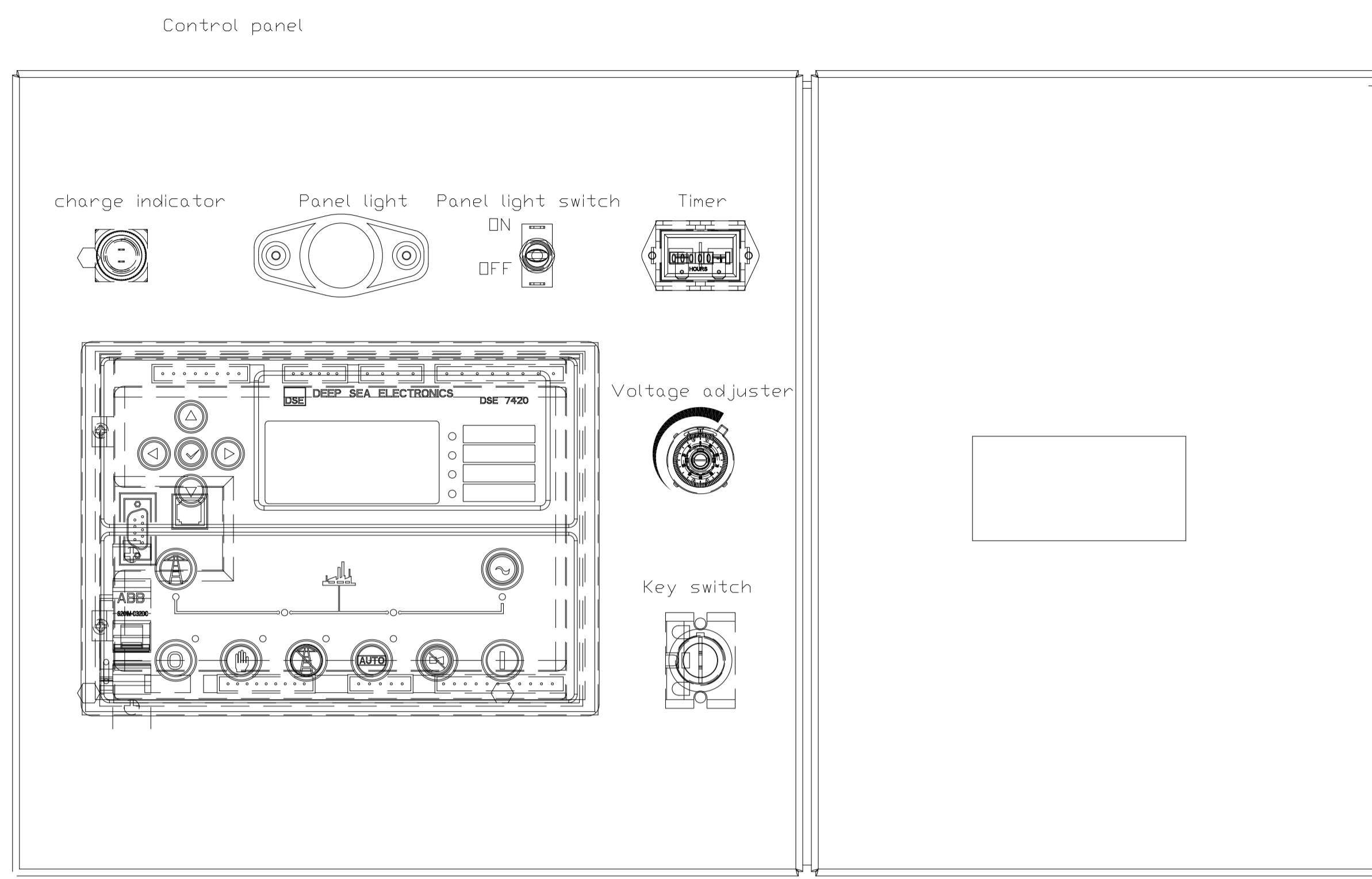


SW1: DC POWER SWITCH
 EMER: EMERGENCY STOP
 ALT: ALTERNATOR
 SM: START MOTOR
 CB: CIRCUIT BREAKER
 AVR: AUTOMATIC VOLTAGE REGULATOR
 ATS: AUTOMATIC TRANSFER SWITCH

NOTICE:
 (1) DEFAULT CONFIG.(MAIN CONFIG.)>480V/277V 3PH;
 (2)ALT. CONFIG1:>208V/120V 3PH;
 (3)ALT. CONFIG2:>240V/120V 1PH;
 (4)EX-FACTORY STATUS:208V/120V 3PH;

Item	Name	Date	Item	Name	Date
Designer	3093	2022-6-26	Checked	0757	
Proofread	1278		Approved	0746	
Drq.No	1000035625A25KS		Sheet	1/2	Edition 3.0

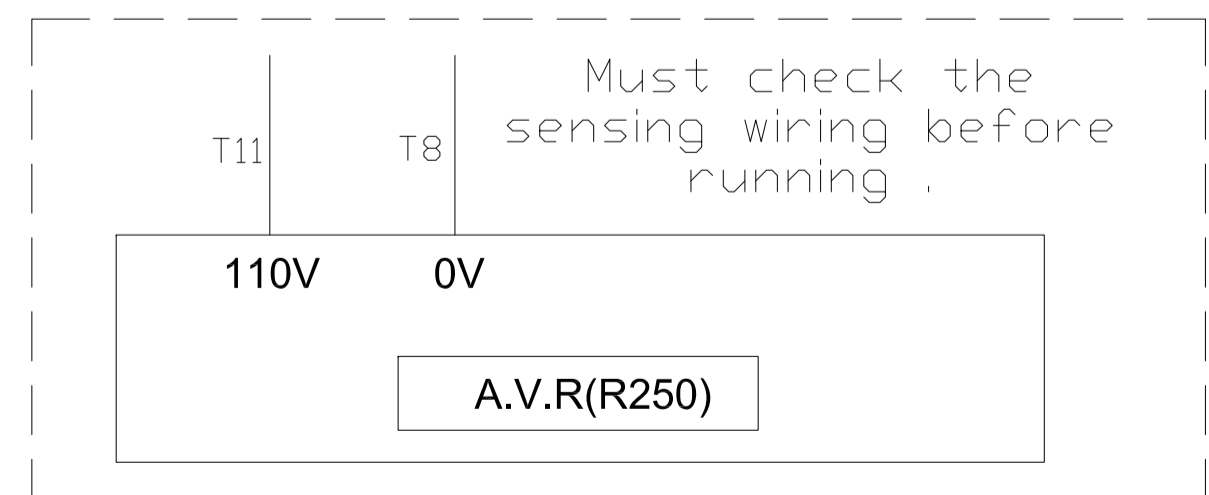
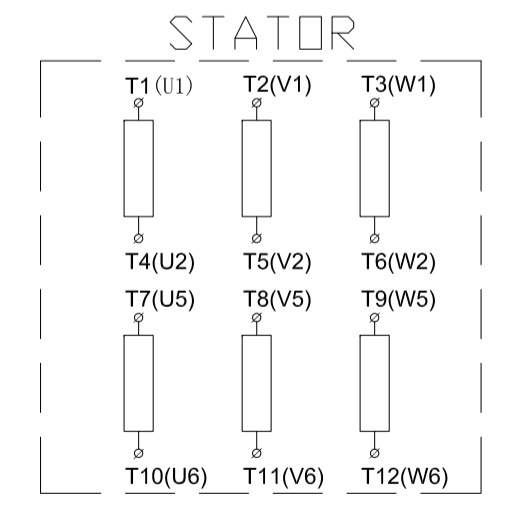
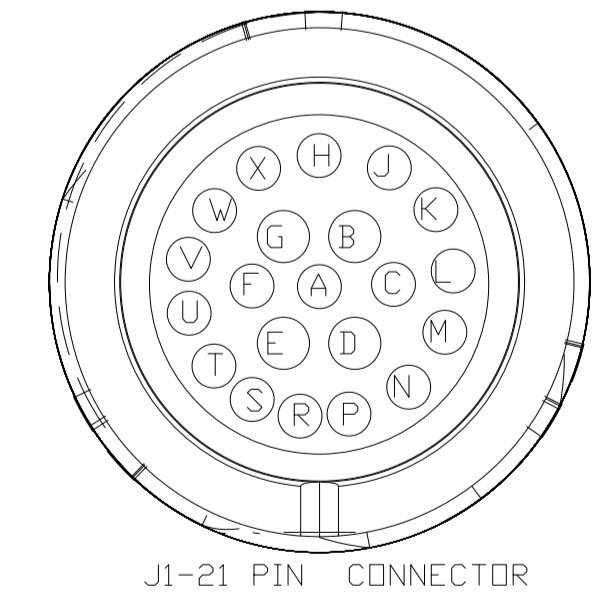
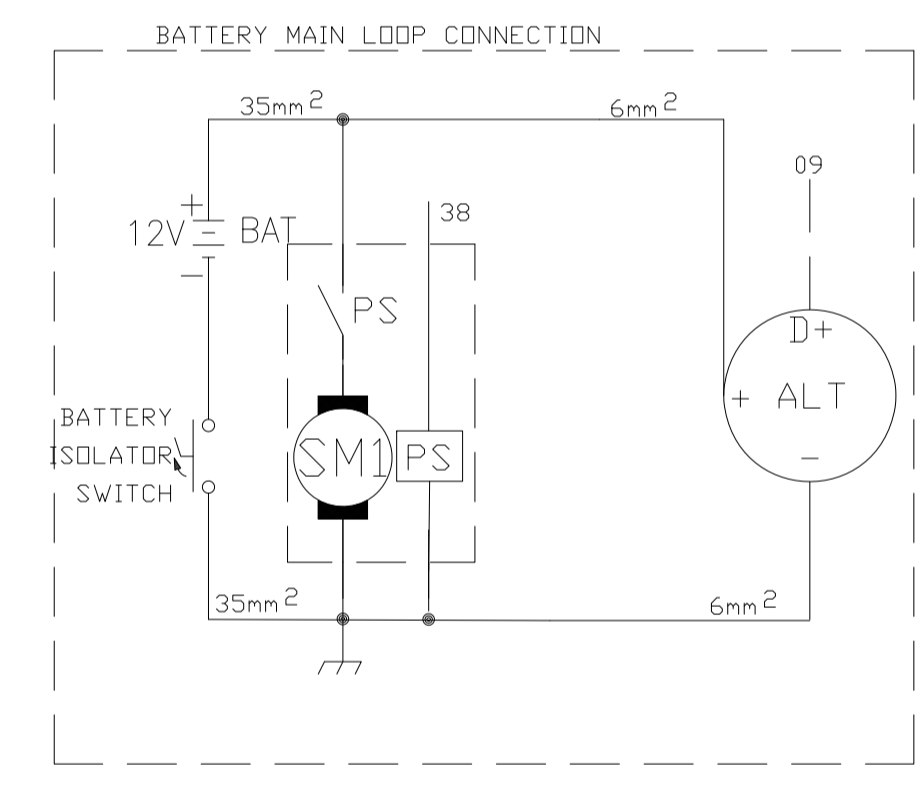




ECU

ECU 1&2 CONNECTOR

WIRING NO.	TERMINAL NO.
49	253
49	255
49	256
216	216
37	226
72	230
73	242
SCR	/
00	251
00	252
00	254
06	250
31	135
34	121
35	136
65	241



Item	Name	Date	Item	Name	Date
Designer	3093	2022-6-26	Checked	0757	
Proofread	1278		Approved	0746	
Drq.No	1000035625A25KS		Sheet	2/2	Edition 3.0

