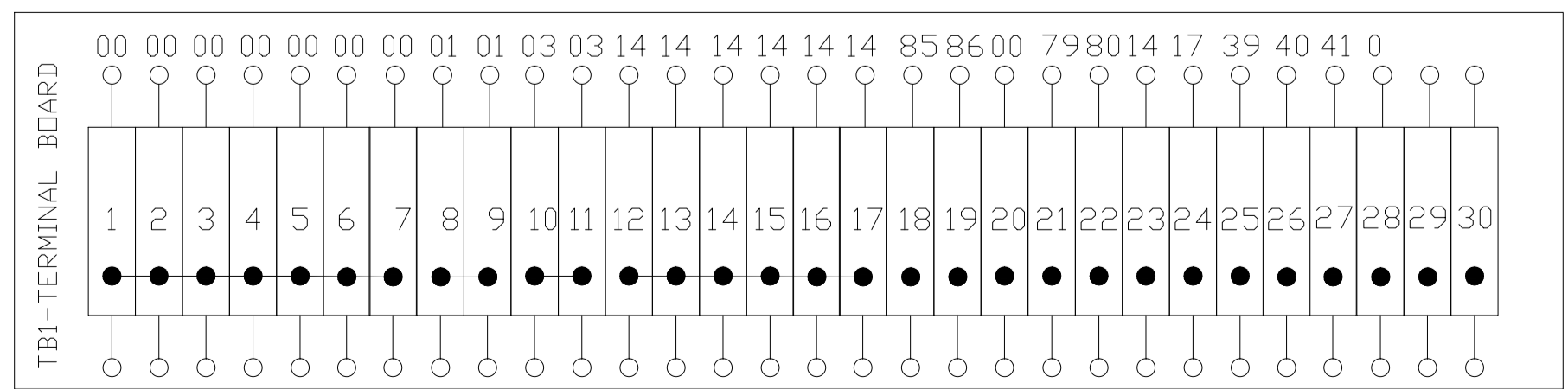


GEN-SET MODEL : A220JS
 ENGINE MODEL : 6068CG550
 CONTROLLER MODEL: DSE-7420MKII
 VOLTAGE: 208V 3P
 FERQUENCY: 60_Hz
 FULL LOAD CURRENT: 611 A

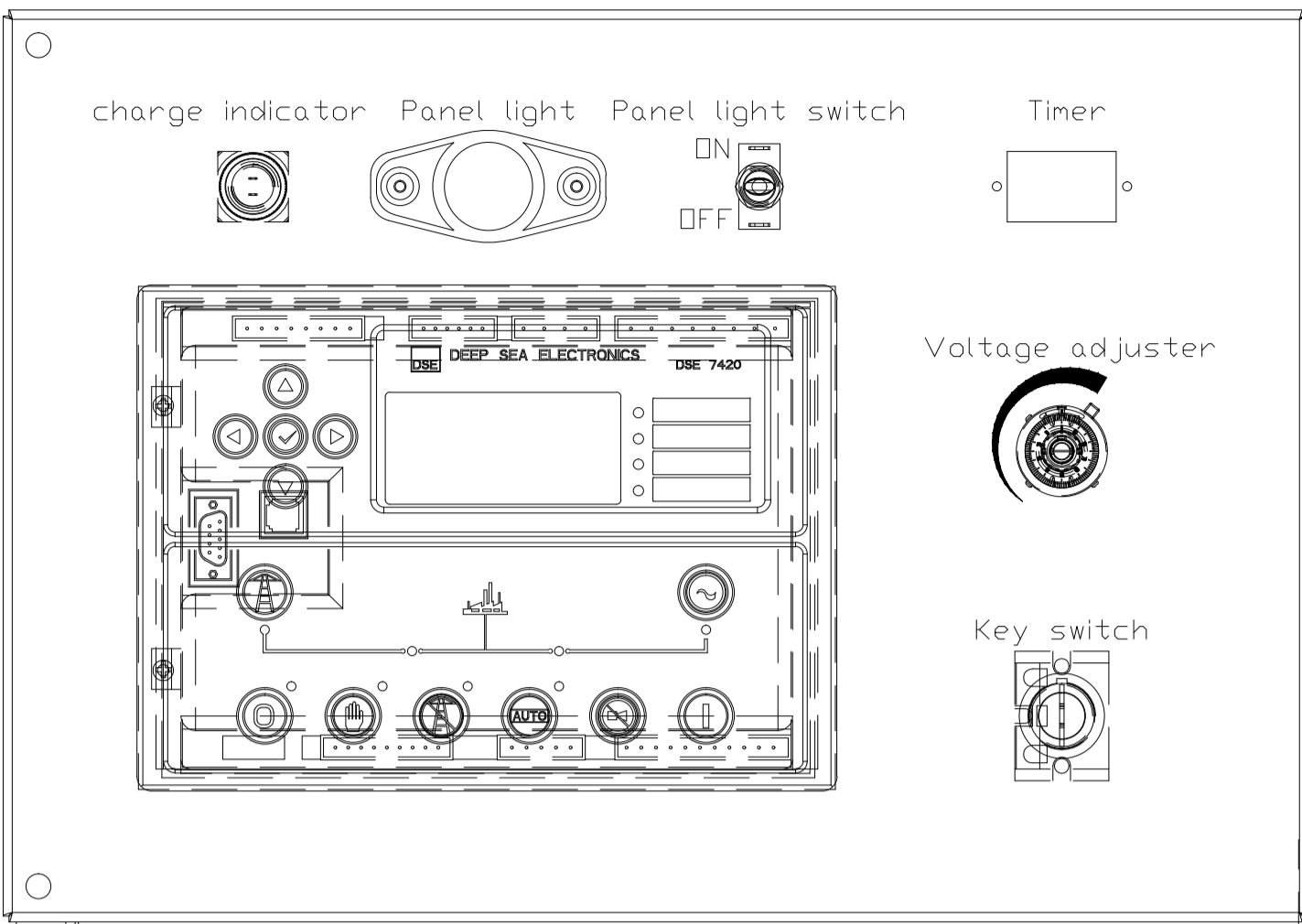


Gen-set Controller DSE7420MKII

Item	Name	Date	Item	Name	Date
Designer	3288	2022-7-14	Checked	0757	
Proofread	1278		Approved	0746	
Drq.No	1000034657A220JS		Sheet	1/2	Edition 4.0

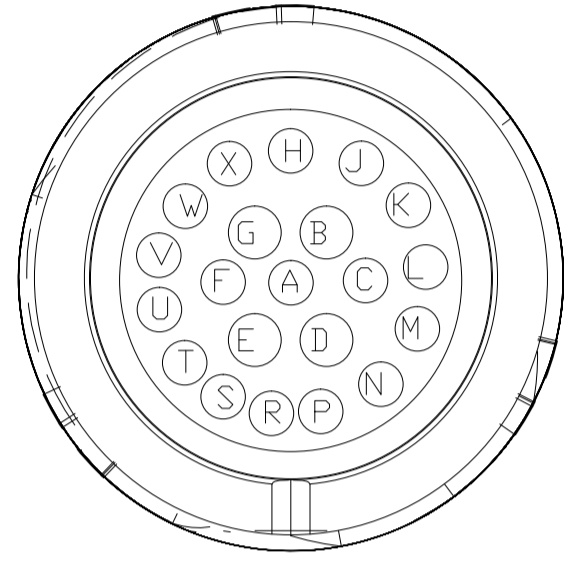


Control panel

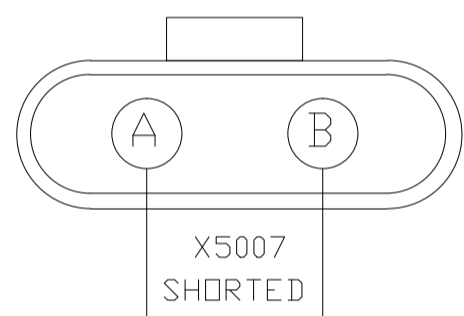


ECU

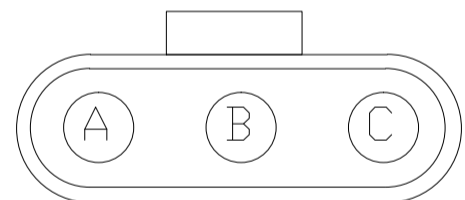
X5021 CONTROL PANEL CONNECTOR	
WIRING NO.	TERMINAL NO.
00	E
04	B
38	D
09	J
37	G
72	V
73	U
SCR	F



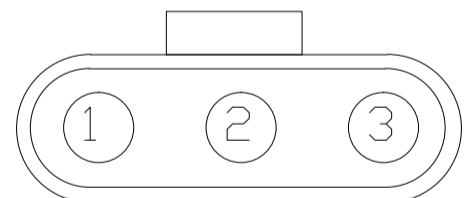
J1-21 PIN CONNECTOR



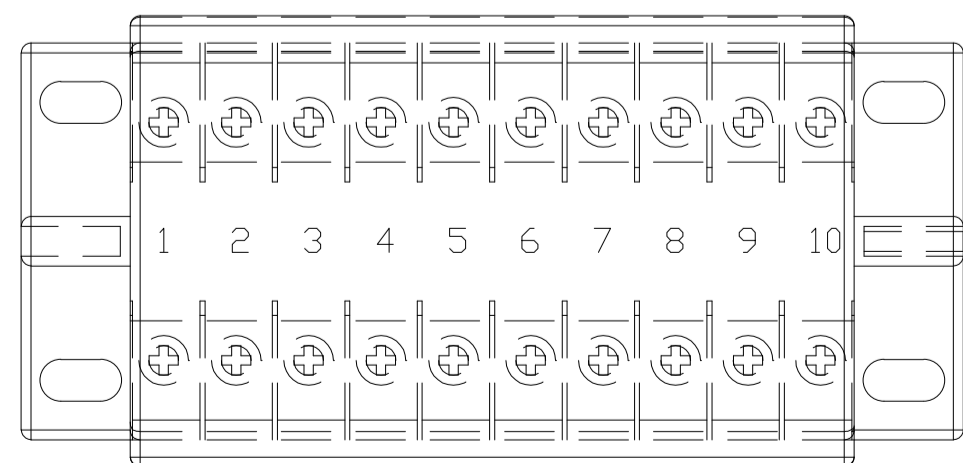
X5007 SHORTED



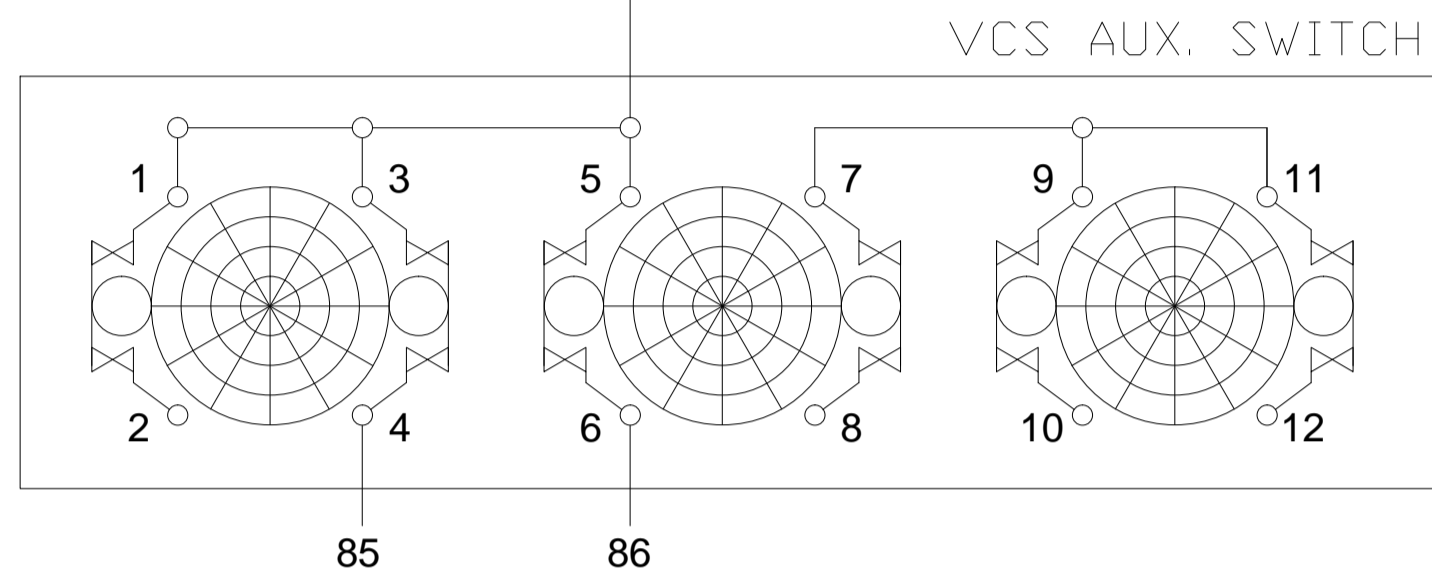
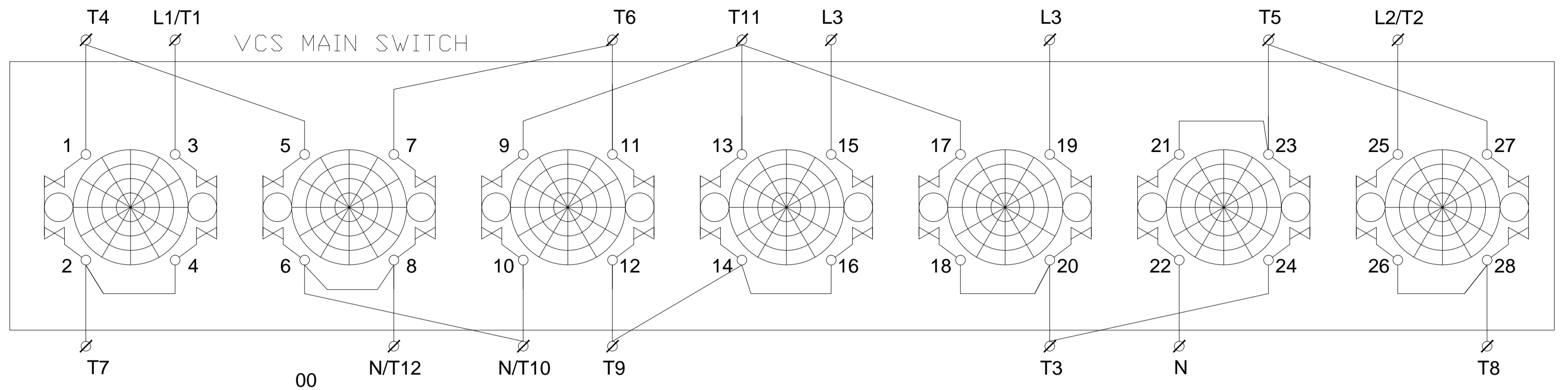
J4-3 PIN COOLANT LEVEL SENSOR CONNECTOR



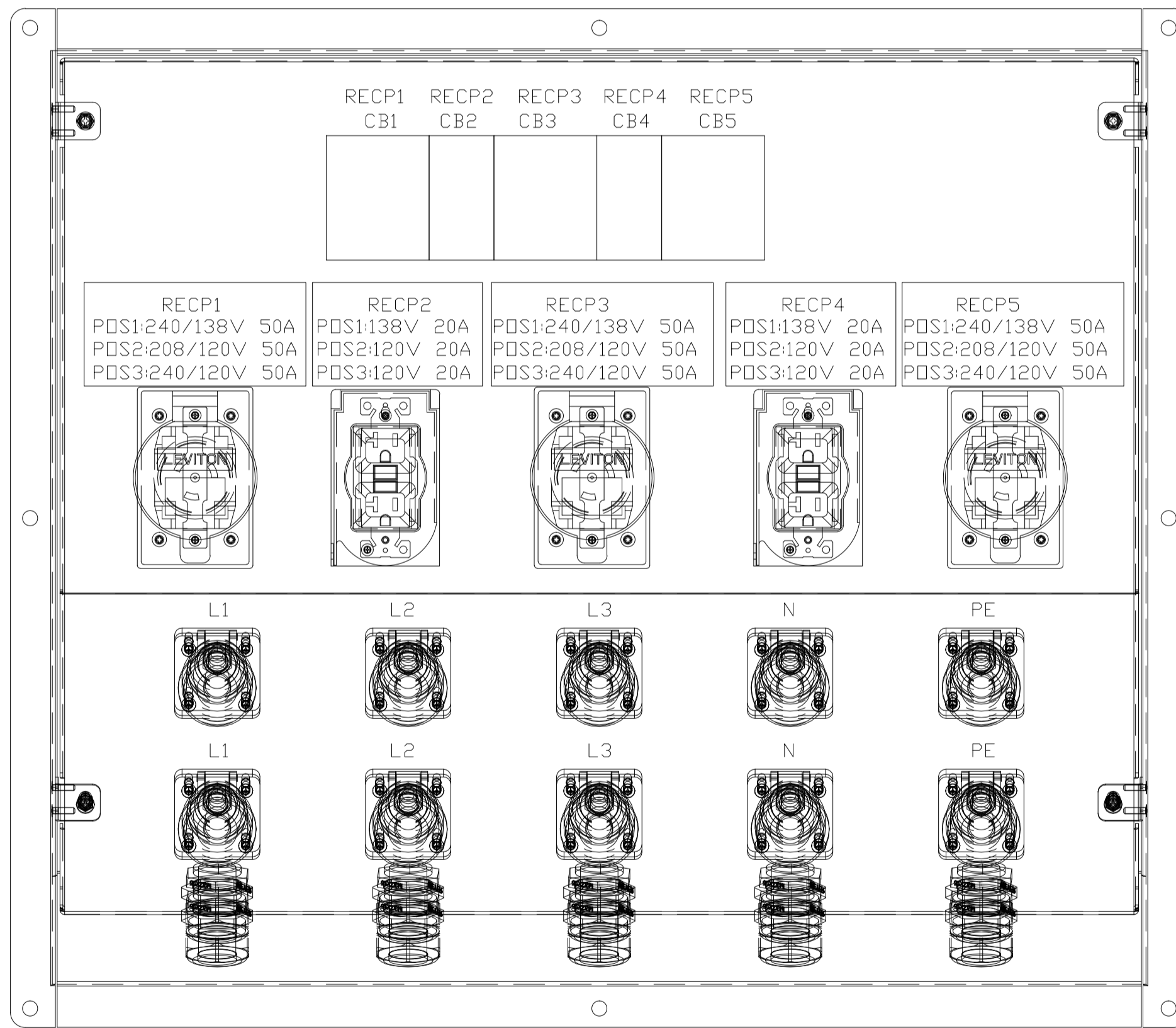
J3-3 PIN FUEL LEVEL SENSOR CONNECTOR



TB2-TERMINAL BOARD

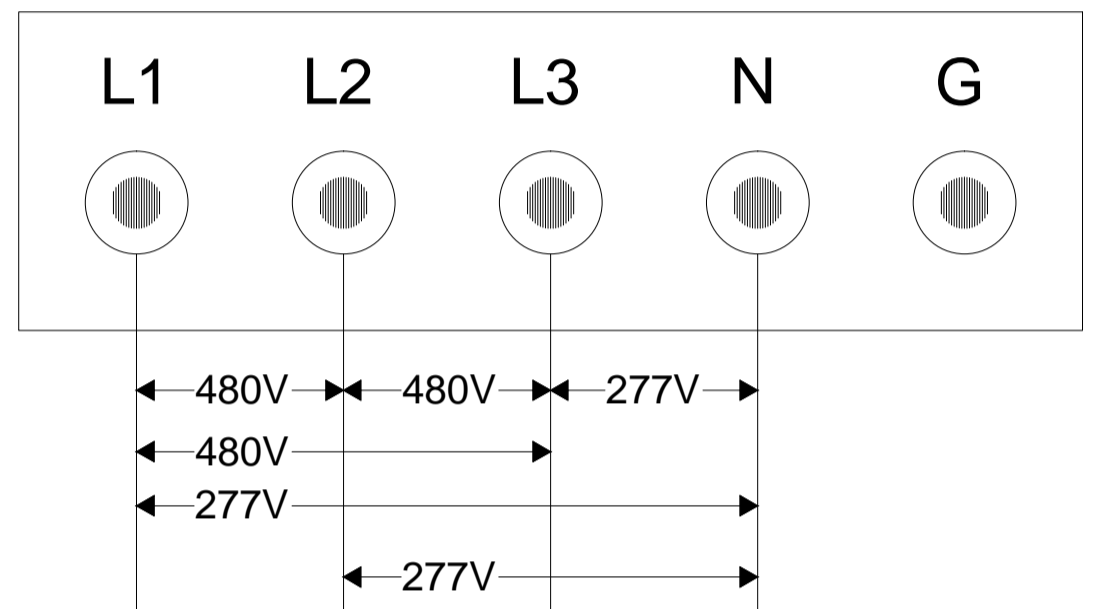


Terminal Box

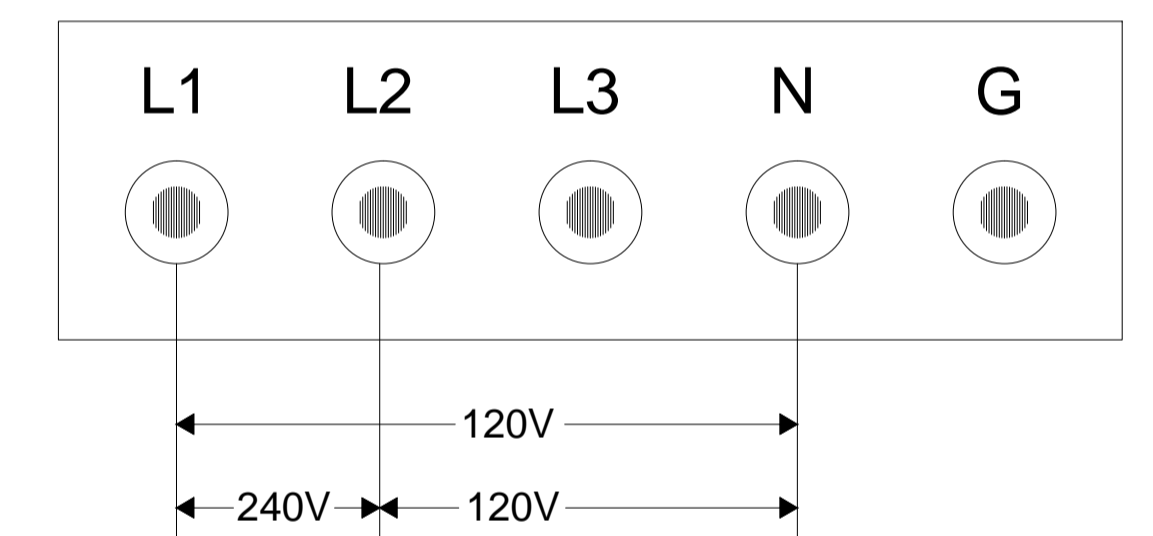


SWITCH POSITIONS

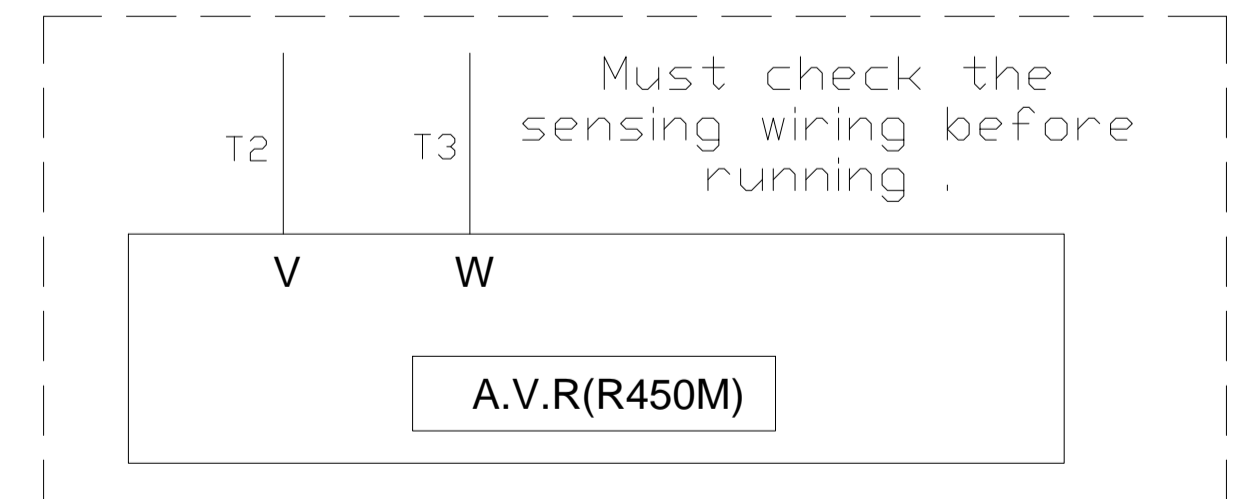
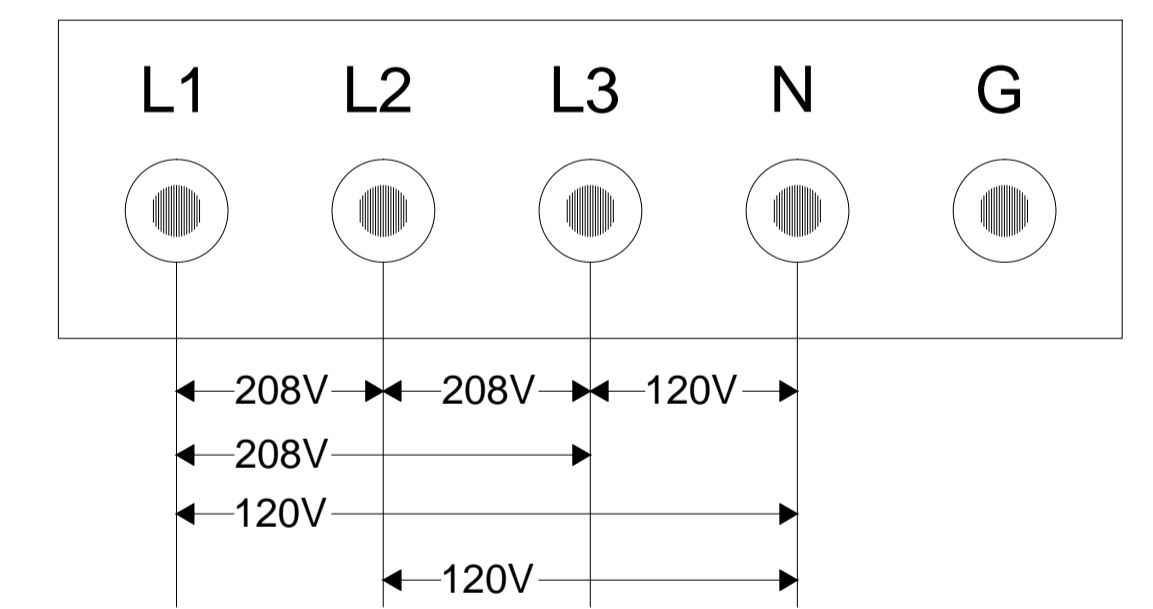
1) POS 1--480V/277V 3PH SERIES-STAR



3) POS 3--240V/120V 1PH ZIG-ZAG(L1-N-L2)



2) POS 2--208V/120V 3PH PARALLEL-STAR



SW1: DC POWER SWITCH
 EMER: EMERGENCY STOP
 ALT: ALTERNATOR
 SM: START MOTOR
 CB: CIRCUIT BREAKER
 AVR: AUTOMATIC VOLTAGE REGULATOR
 ATS: AUTOMATIC TRANSFER SWITCH

NOTICE:
 (1)DEFAULT CONFIG.(MAIN CONFIG.):480V/277V 3PH;
 (2)ALT. CONFIG1.:208V/120V 3PH;
 (3)ALT. CONFIG2.:240V/120V 1PH;
 (4)EX-FACTORY STATUS:208V/120V 3PH;

Item	Name	Date	Item	Name	Date
Designer	3288	2022-7-14	Checked	0757	
Proofread	1278		Approved	0746	
Dwg.No	1000034657A220JS		Sheet	2/2	Edition 4.0

