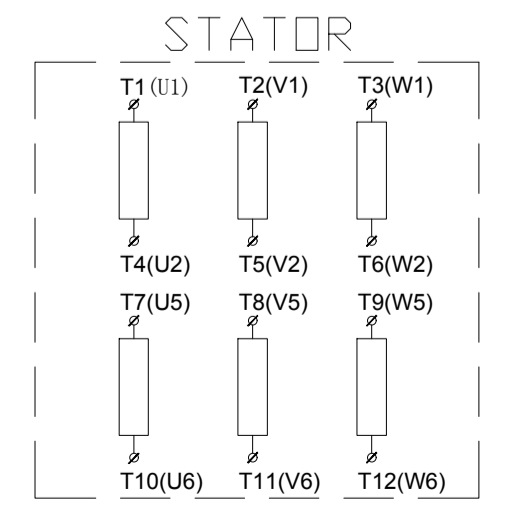
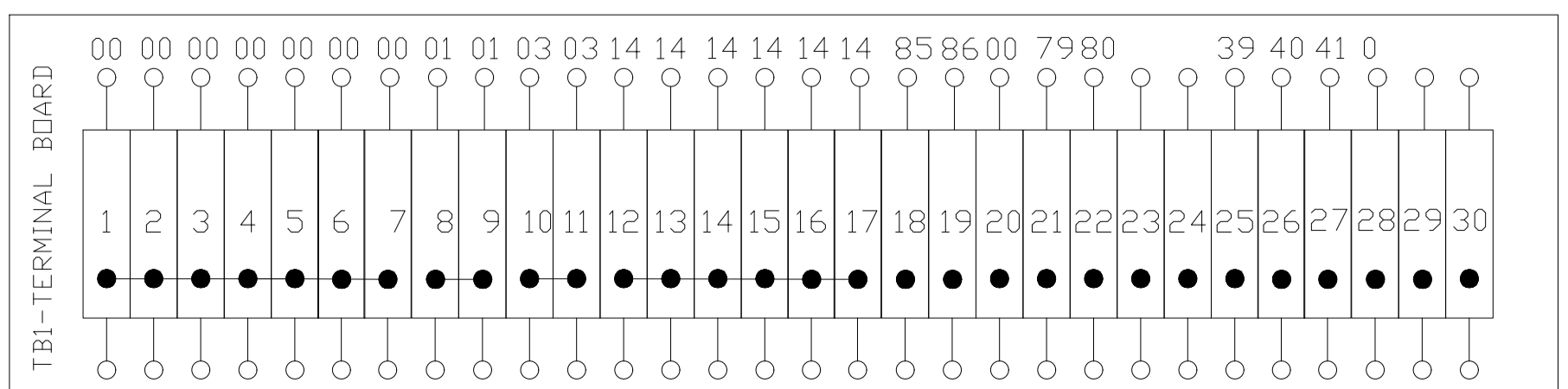


GEN-SET MODEL : A56JS
 ENGINE MODEL : 3029HG530
 CONTROLLER MODEL: DSE-7420MKII
 VOLTAGE: 208V 3P
 FERQUENCY: 60 Hz
 FULL LOAD CURRENT: 125 A

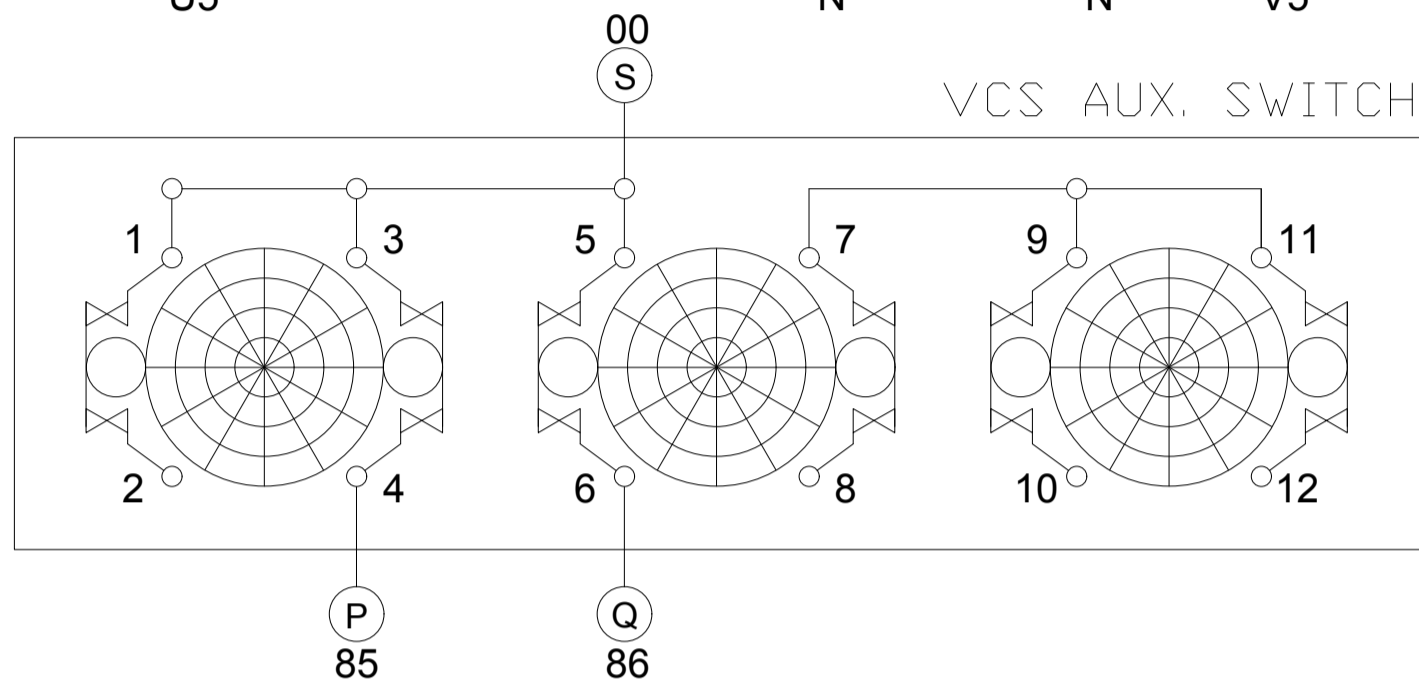
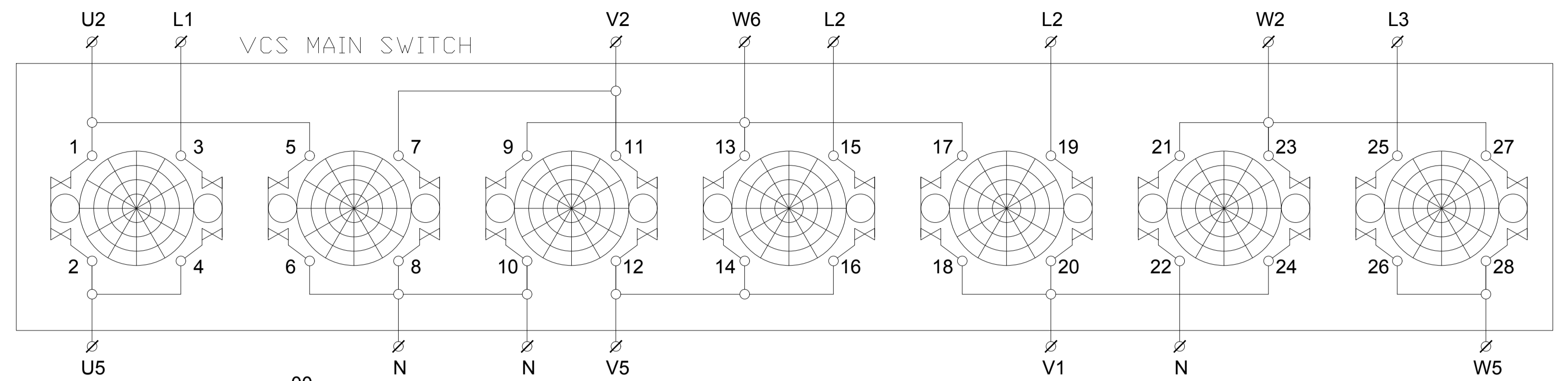
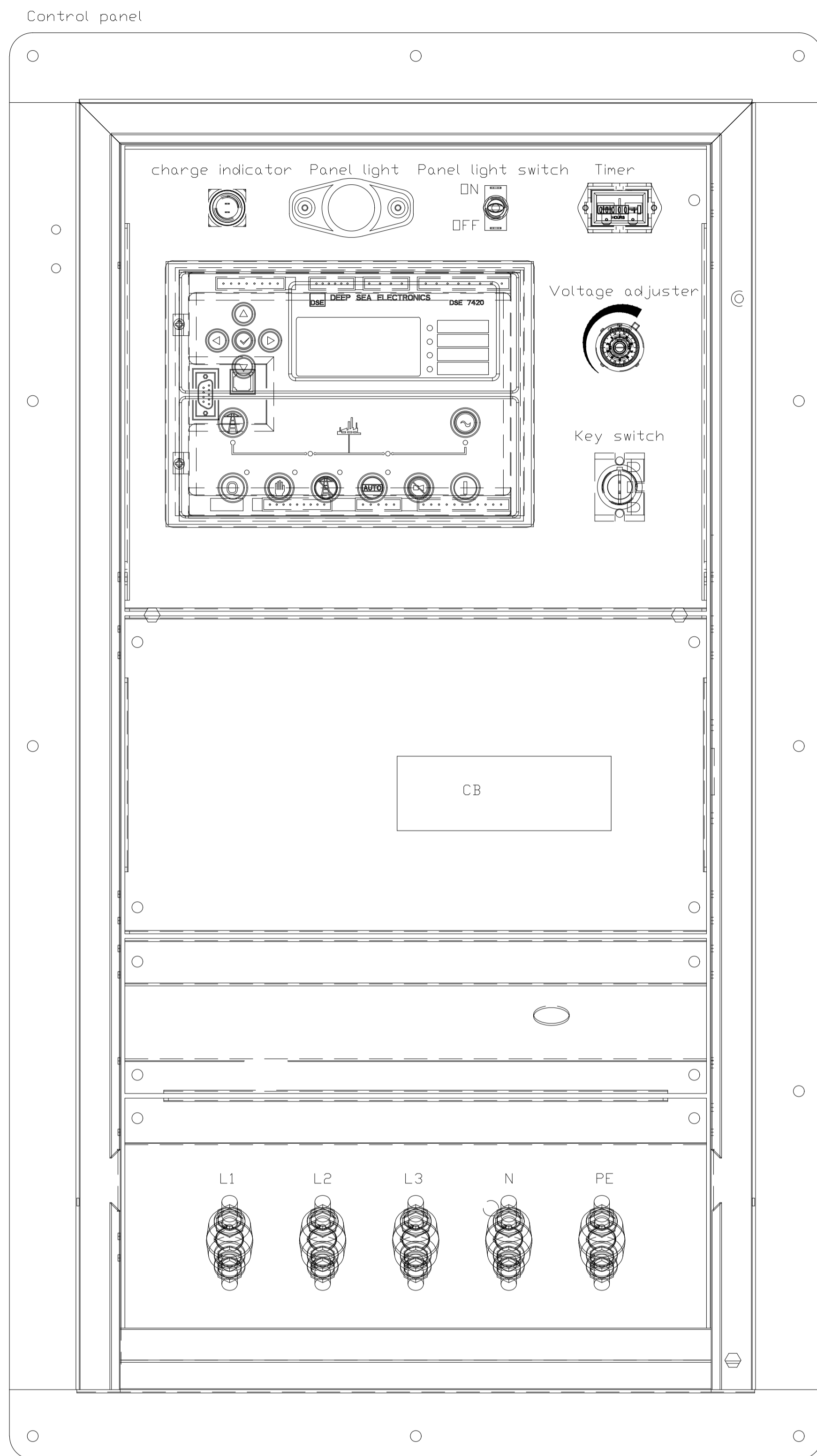


SW1: DC POWER SWITCH
 EMER.: EMERGENCY STOP
 ALT: ALTERNATOR
 SM: START MOTOR
 CB: CIRCUIT BREAKER
 AVR: AUTOMATIC VOLTAGE REGULATOR
 ATS: AUTOMATIC TRANSFER SWITCH

NOTICE:
 (1)DEFAULT CONFIG<MAIN CONFIG>:480V/277V 3PH;
 (2)ALT. CONFIG1:208V/120V 3PH;
 (3)ALT. CONFIG2:240V/120V 1PH;
 (4)EX-FACTORY STATUS:208V/120V 3PH ;

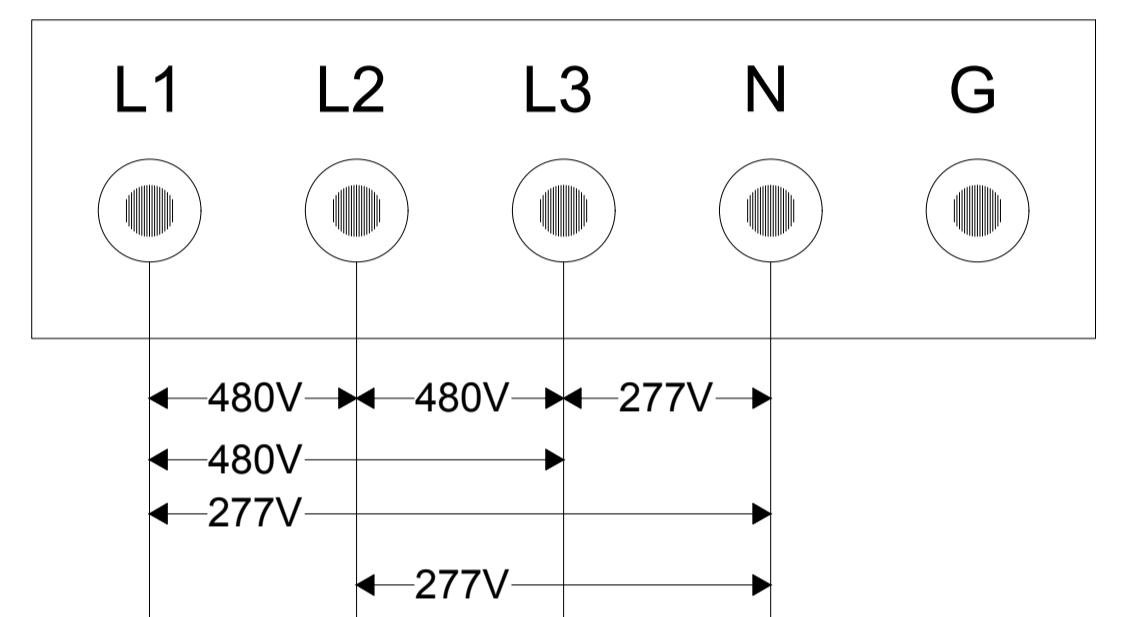
Item	Name	Date	Item	Name	Date
Designer	3093	2022-10-10	Checked	0757	
Proofread	1278		Approved	0746	
Drg.No	1000033353A56JS		Sheet	1/2	Edition 6.0



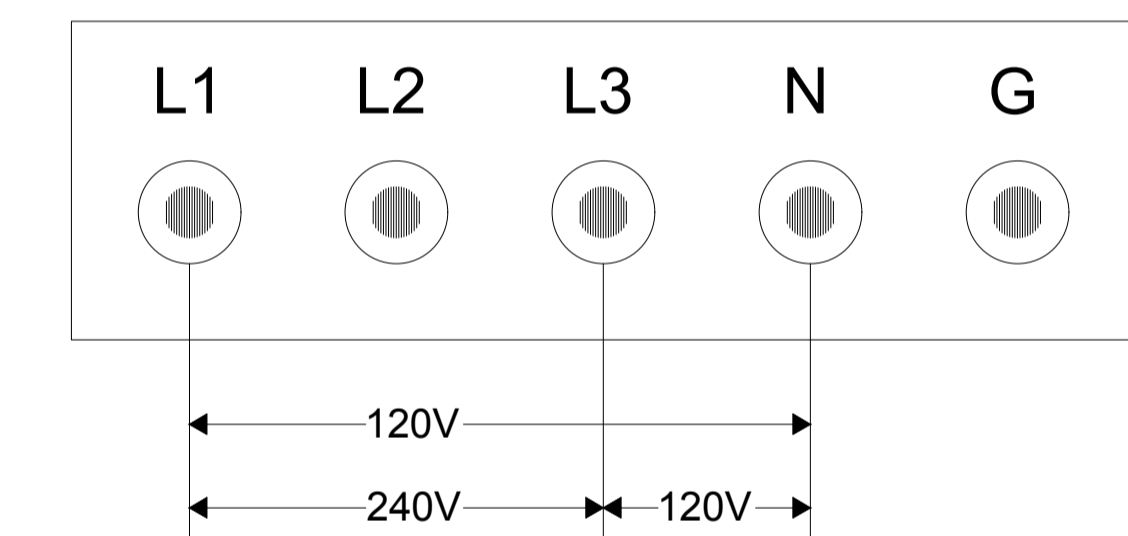


SWITCH POSITIONS

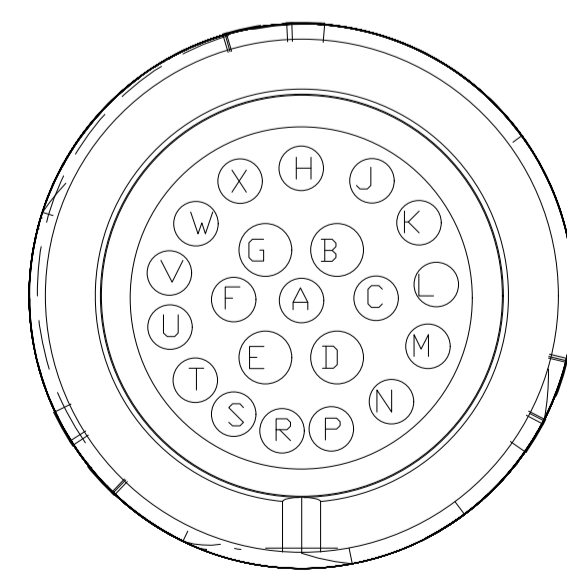
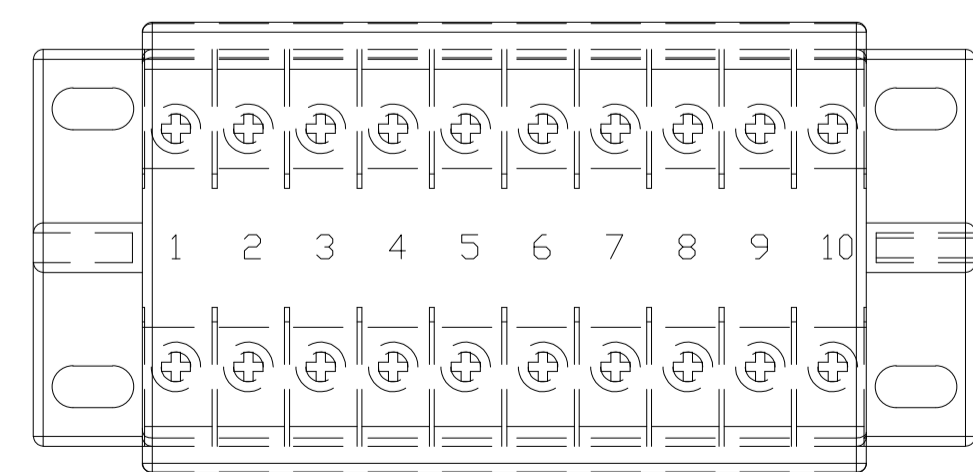
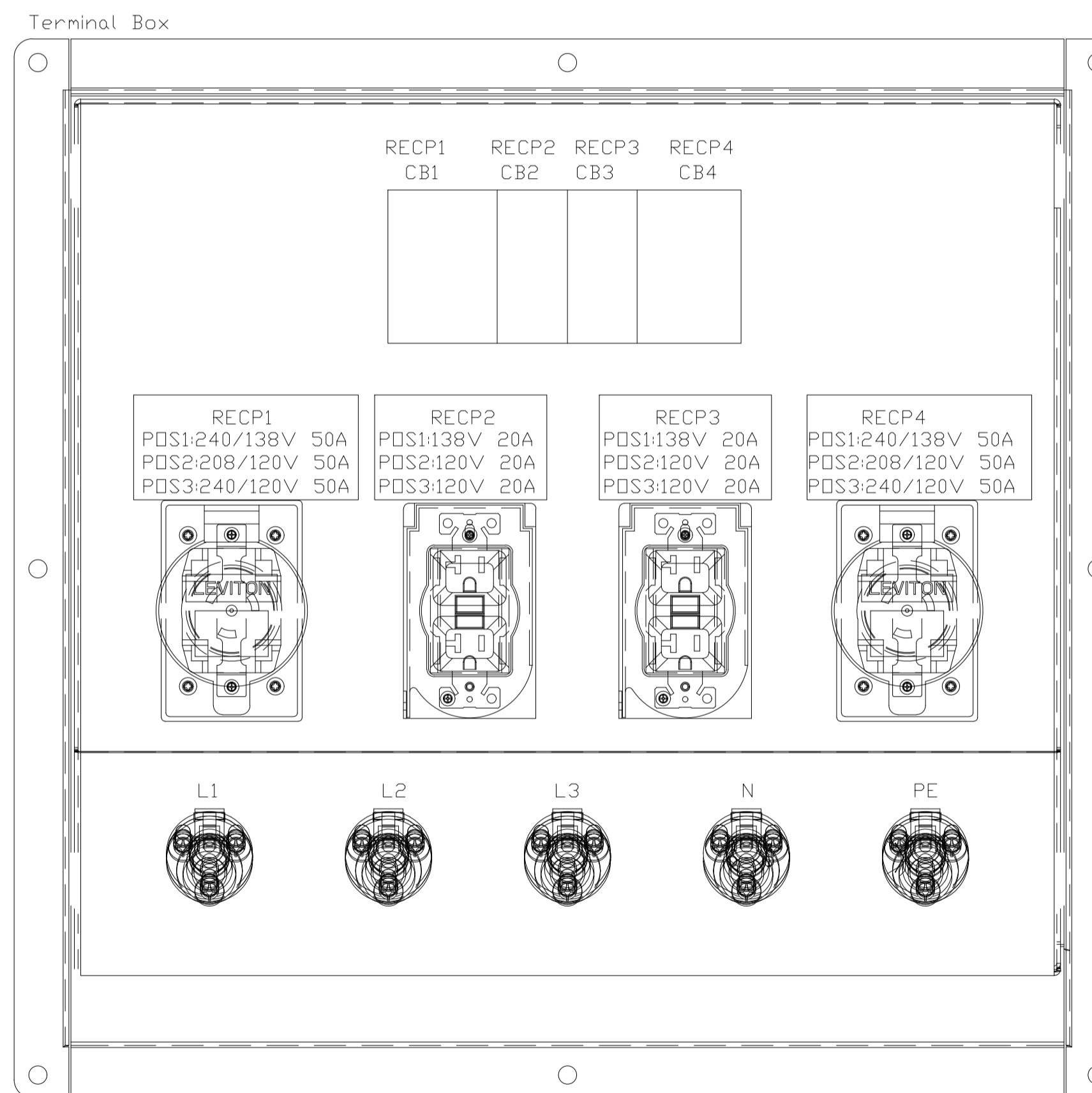
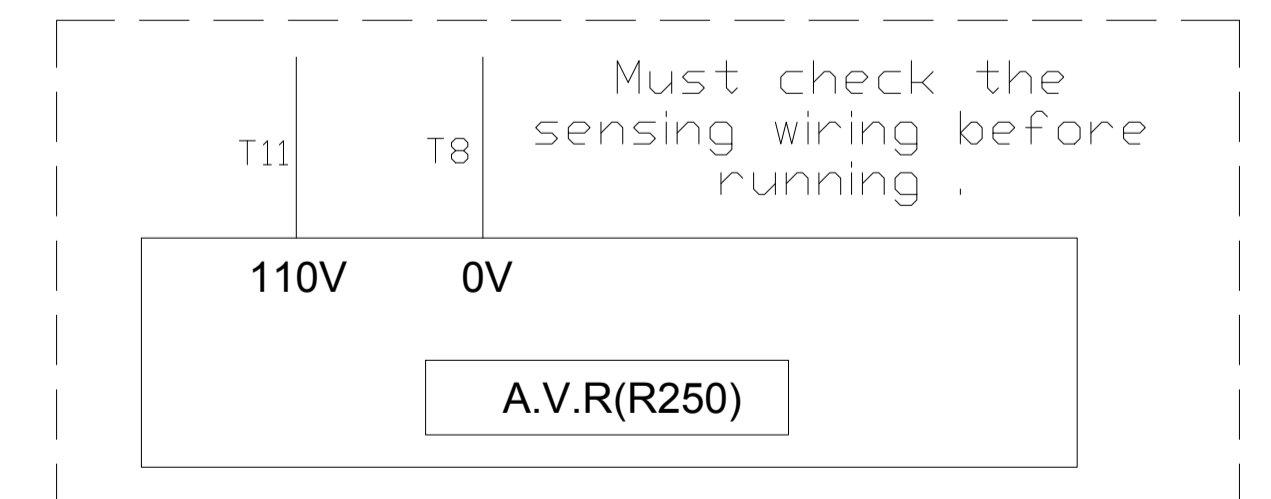
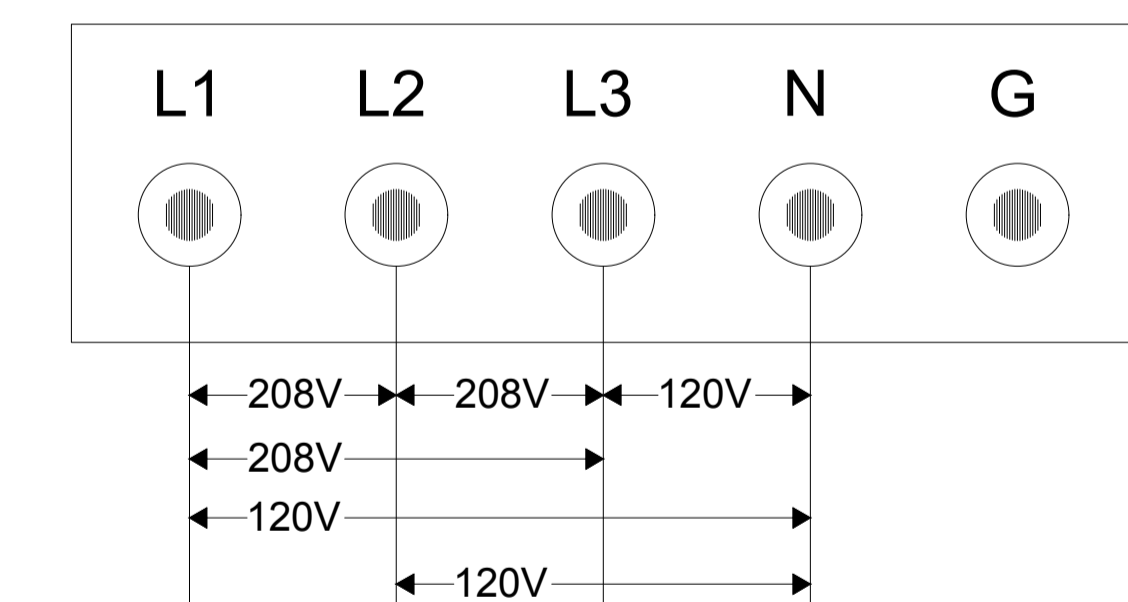
1) POS 1--480V/277V 3PH SERIES-STAR



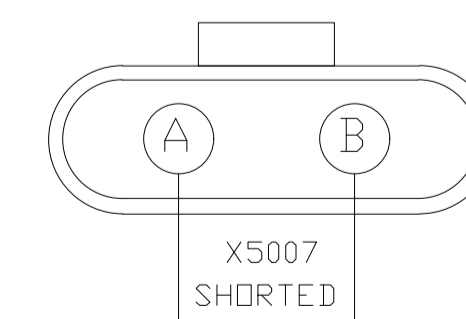
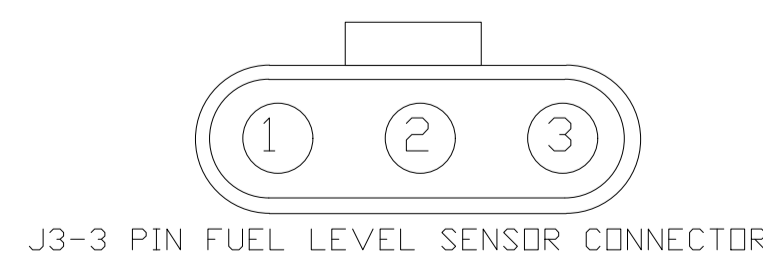
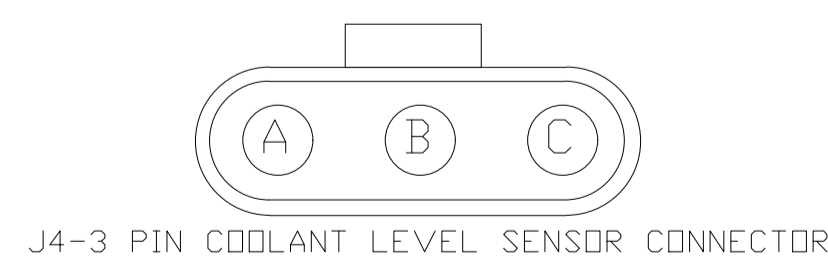
3) POS 3--240V/120V 1PH ZIG-ZAG(L1-N-L3)



2) POS 2--208V/120V 3PH PARALLEL-STAR



ECU	
X5021 CONTROL PANEL CONNECTOR	
WIRING NO.	TERMINAL NO.
00	E
04	B
38	D
09	J
37	G
72	V
73	U
SCR	F



Item	Name	Date	Item	Name	Date
Designer	3093	2022-10-10	Checked	0757	
Proofread	1278		Approved	0746	
Drq.No	1000033353A56JS		Sheet	2/2	Edition 6.0